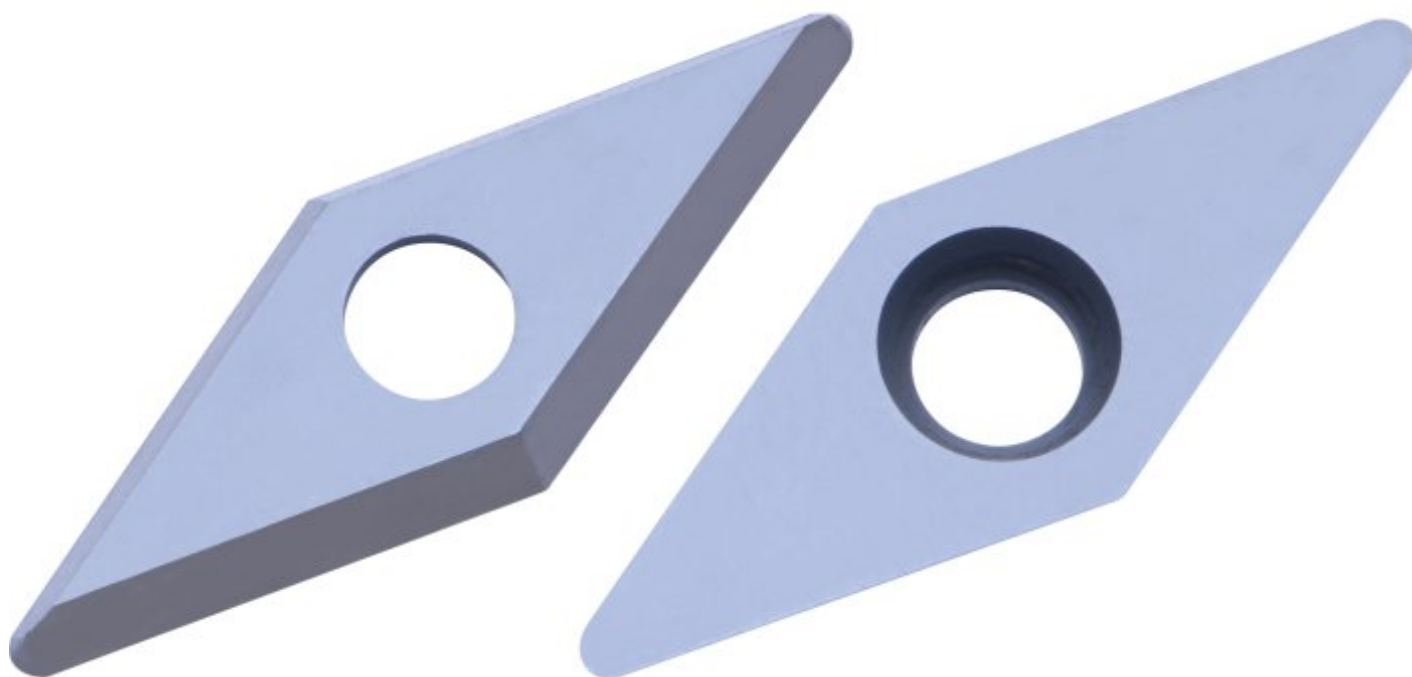


**HAFCO-WOODMASTER**

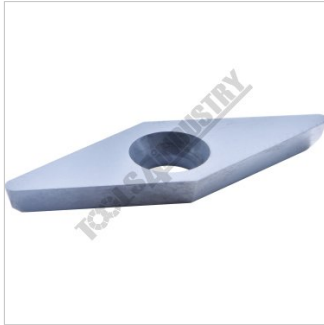


**Diamond Carbide Insert**

**2 Piece Pack**



## HAFCO-WOODMASTER Diamond Carbide Insert



Low View

### Description

Restore the performance of your carbide woodturning tools with these replacement diamond tungsten carbide inserts. The diamond-shaped profile is ideal for detailed shaping, fine finishing, and reaching into tight areas where larger cutters cannot access. Perfect for spindle work, coves, beads, and intricate turning applications.

Manufactured from premium tungsten carbide for exceptional wear resistance and long edge life, these inserts can be rotated to a fresh cutting edge when worn, eliminating the need for sharpening and keeping your tools ready for use.

### Features

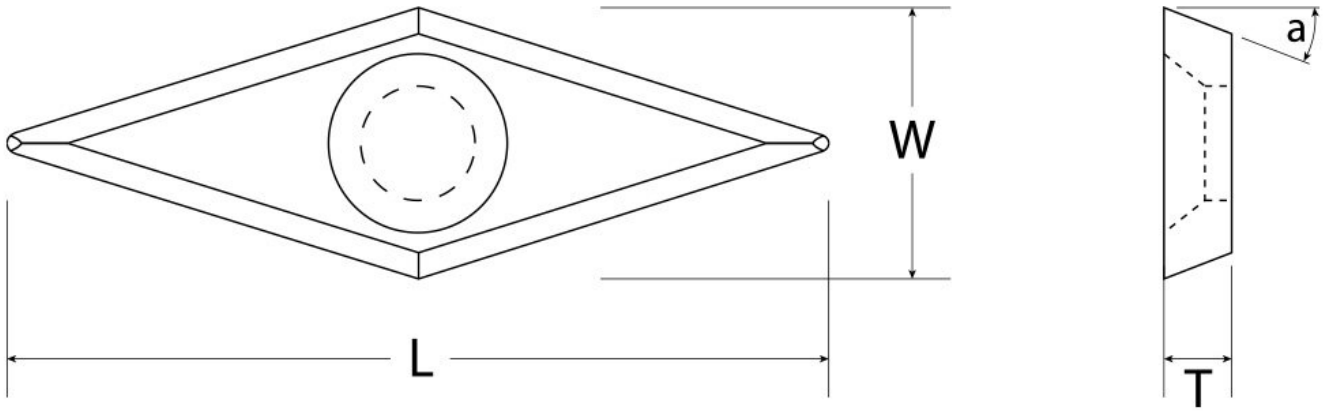
- Replacement diamond tungsten carbide inserts
- Suits compatible carbide woodturning tools
- Ideal for detailed shaping, fine finishing and intricate turning work
- Diamond profile provides excellent access to tight areas and fine details
- Long-lasting tungsten carbide cutting edge
- Rotatable design provides multiple usable cutting edges
- No sharpening required
- Supplied as a convenient 2-piece pack

### Includes

- 2 Piece Pack

### Specifications

**HAFCO-WOODMASTER Diamond Carbide Insert**



**HAFCO-WOODMASTER Diamond Carbide Insert**

**ORDER CODE**

**HAFCO-WOODMASTER Diamond Carbide Insert**

W30492

<b>MODEL</b>	~
<b>Type</b>	Diamond Carbide Insert
<b>No. of Piece</b>	2
<b>Thread Size</b>	~
<b>D</b>	~
<b>L (mm)</b>	28
<b>W (mm)</b>	10
<b>T (mm)</b>	2.5
<b>a (deg)</b>	27°
<b>Suits</b>	Wood Turning Tools - Insert Type