

HAFCO WMVP-2M

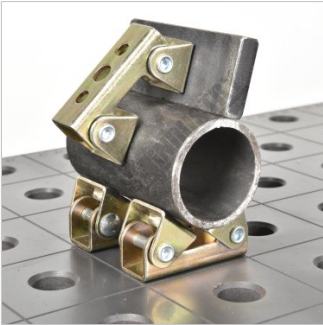


Magnetic Swivel V-Pad Clamps

4pc Pack



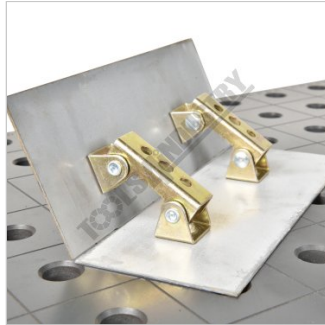
HAFCO Magnetic Swivel V-Pad Clamps WMVP-2M



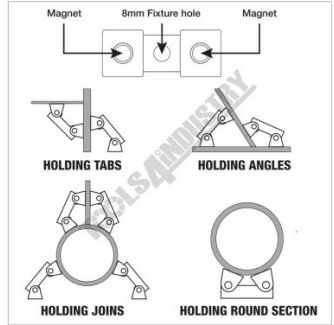
Holding Round Sections and Tabs



Holding Angles



Holding Sheet Metal



Overview

Description

The swiveling magnetic jaws will hold almost any round or flat part. The dual swivel pads feature strong magnets to aid in holding your work piece. The base includes a through 8mm hole so that it can be used to attach to your jigs or welding table fixtures. Sold in a pack of 4pcs.

Features

- Hold and position round, flat and square parts in multiple applications
- Each V-Pad contains 2 rare earth magnets
- Adjustable multi-purpose fixture clamps
- Hold and position steel
- Ø8mm Fixture hole

Specifications

ORDER CODE	W1091
MODEL	WMVP-2M
Type	Magnetic Swivel V-Pad Clamps
Size	~
Quantity Per Pack (No.)	4
Magnet Clamp Angle (deg)	~
Pull Force (kg)	10
Nett Weight (kg)	~