

HAFCO SCA-3816P



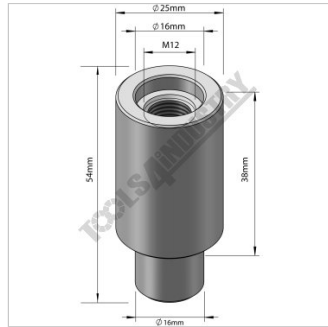
38mm x M12 Multi-Purpose Riser/Stops (Spigot Type) - 4pc Pack



HAFCO 38mm x M12 Multi-Purpose Riser/Stops (Spigot Type) - 4pc Pack SCA-3816P



Threaded Insert



Dimensions

Description

These stops can be inserted into welding tables with Ø16mm holes, the multi-purpose design allows them to be used as a material rest or as a stop to positive locate of your workpiece. The spigot base gives you the ability to quickly place into the welding table holes to ensure accuracy & consistency of your welding tasks.

Features

- Pin type spigot suits welding tables with Ø16mm holes
- Suits welding tables with a minimum of 6.35mm plate thickness
- Use as an extension for welding clamps to increase clamp height by 38mm
- 38mm in height from table surface & 25mm in diameter
- M12 Internal Thread

Specifications

ORDER CODE	W08515
MODEL	SCA-3816P
Suits Table Hole Size (Ø)	16mm
Type	Material Stop
Suits Table Thickness (mm)	6.35 Minimum
Diameter (Ø)	25mm
Quantity Per Pack (No.)	4
Thread	M12 Internal
Over all Height	38mm
Attachment Type	Spigot
Nett Weight (kg)	1.2