

HAFCO SDC-50

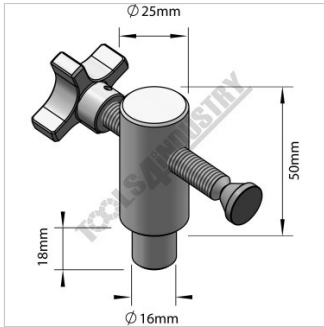


50mm Side Clamp (2 Piece Pack)

Ø16mm Spigot



HAFCO 50mm Side Clamp (2 Piece Pack) SDC-50



Dimensions



Clamp Position

Description

Side clamps are used as a quick & easy to use low profile option to add horizontal clamping to your work piece. They can be used in any of the 16mm table or fixture element holes giving you endless flexibility in your clamping tasks.

Features

- Ø16mm spigot to suit table or fixture element holes
- Aluminium handle with swivel clamping pad
- CNC machined surfaces to ensure precision tolerances
- Burnished finish surface treatment to prevent rust
- 2 Pack

Specifications

ORDER CODE	W08508
MODEL	SDC-50
	50mm
Mount Type	Ø16mm Spigot
Suits Table Hole Size (Ø)	16mm
Throat Depth (mm)	~
Clamp Height Opening (mm)	~
Clamping Force (kg)	~
Quantity Per Pack (No.)	2
Nett Weight (kg)	1.0