

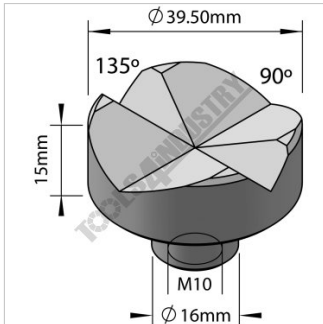
HAFCO SCV-90135



Cross Type 90 / 135° V-Pad (4 Piece Pack)



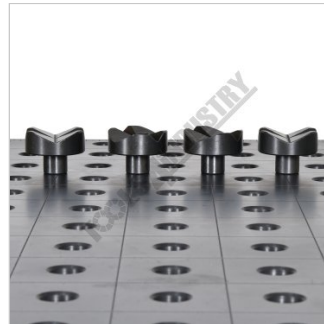
HAFCO Cross Type 90 / 135° V-Pad (4 Piece Pack) SCV-90135



Dimensions



Single



Shown On Welding Table

Description

V blocks are used as a support between the table surface and round workpieces & can be used in any of the 16mm table or fixture element holes. The cross-type design allows you to hold round material or square on its edge giving you endless flexibility in your clamping tasks. The spigot also has an M10 internal thread if it needs to be bolted in a vertical plane.

Features

- 16mm spigot to suit table or fixture element holes
- 90 Degree V to hold up to 20mm round or square on its edge
- 135 Degree V to hold up to 50mm round
- CNC machined surfaces to ensure precision tolerances
- Burnished finish surface treatment to prevent rust
- Suits Ø16mm Welding Tables Holes

Specifications

ORDER CODE	W08507
MODEL	SCV-90135
Suits Table Hole Diameter (Ø)	16mm
Type	Cross V-Pad
Degree Opening	90 + 135 Degree
Size	~
Quantity Per Pack (No.)	4
Suits	~
Nett Weight (kg)	1.0