

METALMASTER WT28-2010N



2000 x 1000mm M28 Pro Series Welding Table

Plasma Nitriding Coating



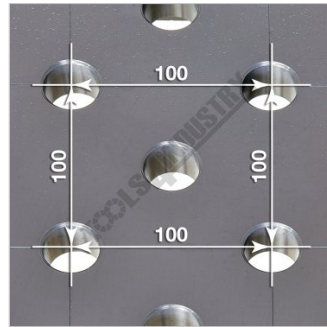
METALMASTER 2000 x 1000mm M28 Pro Series Welding Table WT28-2010N



Plasma Nitriding Surface Finish



28mm Diameter Holes



100 x 100mm Hole Centres Diagonal Pattern



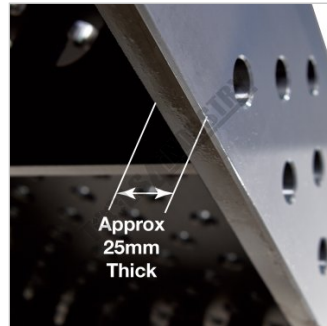
Perimeter Ruler Engraving



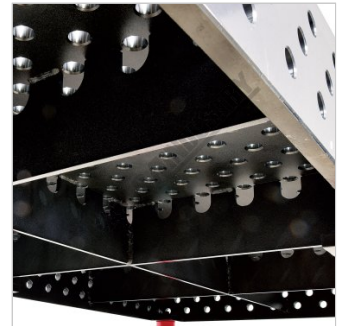
M28 Pro Table Series



200mm Sides



Material Thickness Approx 25mm



Stengthened by Welded Webbing



Adjustable levelling castors

Description

The Metalmaster M28 Pro Series welding tables features a welded & ribbed construction from heavy S355 plate steel, the frame is then CNC machined with the sides & top having a finished nominal thickness of 25mm. The CNC machining process is able to achieve a high flatness tolerance of +/- 0.1mm over 1m2 to give you a smooth precision welding surface. During this CNC machining process, the Ø28mm holes are precision bored to ensure a hole distance tolerance of +/- 0.05mm & with a diagonal style hole pattern it gives you a multitude of fixture holes to suit your application. Before removing the table from the machining centre, we engrave 100mm grid lines & perimeter ruler to give you millimetre precision helping you minimise mistakes while increasing productivity.

Our Pro Series able have been designed with interlocking solid steel ribs & 200mm high sides to maintain rigidity & heavy load capacity for all heavy fabrication projects. The diagonal style hole spacing is an industry standard 100 x 100mm grid with an additional hole in the centre giving you almost endless possibilities for both welding and clamping applications. The table also comes complete with heavy powder coated tube steel legs complete with heavy duty caster wheels featuring integrated levelling feet ensuring a stable working surface.

All our M28 Pro Series come standard with a plasma nitriding coating which thermochemically case hardens the

METALMASTER 2000 x 1000mm M28 Pro Series Welding Table WT28-2010N

surface so not only making it harder but also making it spatter, wear & rust resistant.

Choose from our wide range of optional Pro Series clamping kits & fixturing accessories to add to your table giving you the ultimate welding & fixturing system so when you go into battle with your next fabrication project it's a knockout.

Features

- Plasma nitriding surface finish for increased hardness, rust & spatter resistance
- Ø28mm Precision bored fixing holes at 100mm centres
- Diagonal hole grid pattern offering a multitude of clamping options
- 100mm grid lines & perimeter ruler engraving
- Precision CNC machined to ensure flatness of +/- 0.1mm over 1m²
- Tabletop & sides manufactured from heavy 25mm S355 plate steel

Includes

- 4pcs of heavy steel legs c/w caster with integrated leveling feet

Specifications

ORDER CODE	W08255
MODEL	WT28-2010N
Table Top Finish (Type)	Plasma Nitriding Coating
Table Top Size (mm)	2000 x 1000
Table Height (mm)	850
Table Side Height (mm)	200
Top Plate Thickness (mm)	25
Grid Pattern (mm)	100 x 100
Table Hole Diameter (Ø)	28
Table Slots (mm)	~
Static Load Capacity (kg)	3000
Total W.L.L. (kg)	~
Number of Legs (No.)	4
Nett Weight (kg)	655