

BUILDPRO ATN100M

BuildPro™

Modular Pipe & Tube Notcher

Adjustable Cutting Angle Up To 90°



BUILDPRO Modular Pipe & Tube Notcher ATN100M



Individual Parts



Shown Set Up In Use with Optional Accessories



Shown Set Up with Optional Accessories



Angle Setting Scale



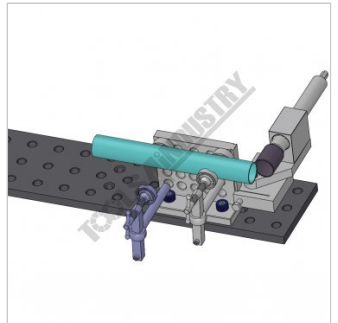
Height Setting Scale



Clamp



45 Degrees



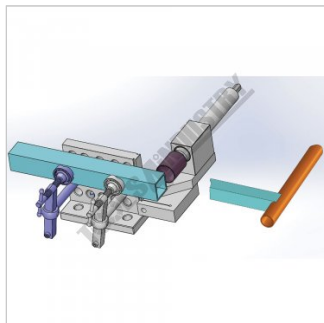
90 Degrees



Reference Angles



Compound Angles



Square Tubes

Description

Notch tubes and pipes at the accurate angle and length.

The 1st notch in a tube or pipe is easily completed with a drill press. The BuildPro® Tube & Pipe Notcher makes alignment and length control of the 2nd notch easy to complete accurately.

Notch Ø25 - Ø63.5mm OD pipes or square tubes at any angle, or off-center. Position the two V-Blocks and clamp as needed.

BUILDPRO Modular Pipe & Tube Notcher ATN100M

Features

- The V-Pads have a soft face to protect the pipe or tube surface
- The cutter centreline is height adjustable to accommodate a wide variety of workpieces
- Adjust cutting angle up to 90°
- Works with 12mm drill
- Accepts hole saw thread sizes: 1/2"-20, 5/8"-18
- 25mm steel shaft
- Double bearing block
- * Mounting hardware not included

Includes

- 1 pc. BuildPro® Tube & Pipe Notcher
- 2 pcs. Aluminium V-Blocks for tube locating
- 1 pc. Clamp with Magnetic V-Pad

Specifications

ORDER CODE	W08180
MODEL	ATN100M
Machine (Type)	Modular Pipe & Tube Notcher Attachment
Notching Cutter (Type)	Hole Saw (Optional)
Tube Capacity (OD) - Mild Steel (mm)	Ø25 - Ø63.5
Pipe Capacity (NB) - Mild Steel (inch / mm)	Ø2"
Angle Adjustment (Degree)	0 - 90°
End Mill Size (inch / mm)	~
Belt Size (mm)	~
Belt Speed	~
Cutting Speed (rpm)	~
Motor Power (kW / hp)	~
Voltage (V)	~
Dimensions ((mm))	280 x 280 x 160
Nett Weight (kg)	9.1