

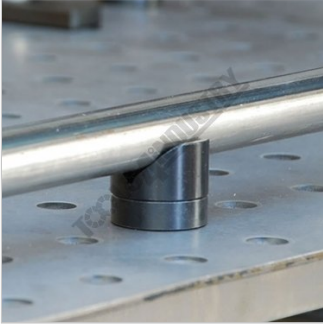
BUILDPRO T64211

BuildPro™

BuildPro V-Block Spacer

Ø38 x 27.5mm



BUILDPRO BuildPro V-Block Spacer T64211

V Block Spacer

Description

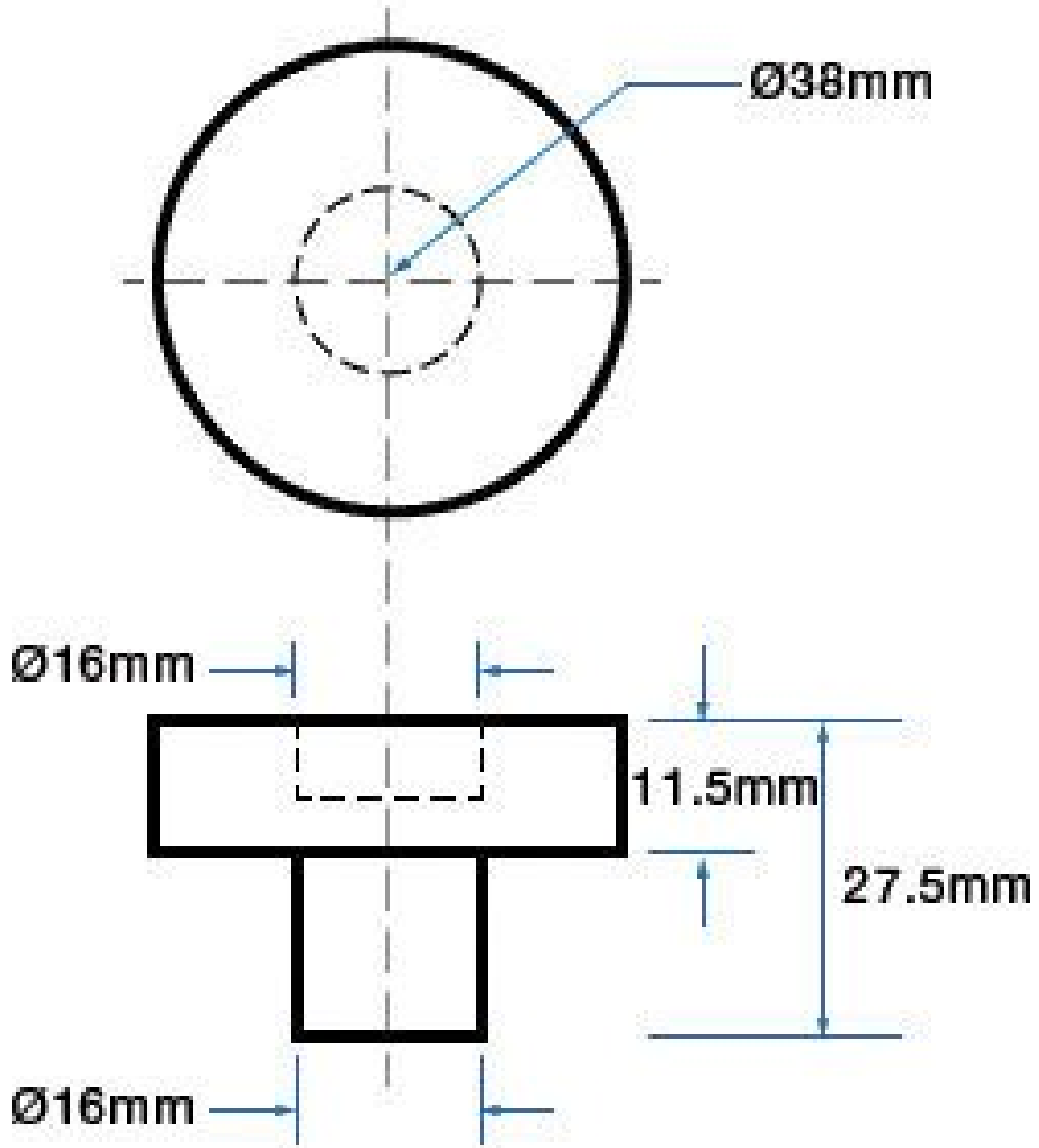
Use the V-Block Spacer to elevate V-Blocks 11.5mm above the tabletop for welding clearance, and for height uniformity when used in combination with Straight Edge Stops.

The very practical, modular design of the BuildPro® Table makes it easy to set-up and tear down for job at hand, big or small. Save time and money by holding, positioning and locating quickly and easily with a wide variety of BuildPro® clamps and accessories.

All BuildPro® Tables have 16mm thick steel plate with Ø16mm holes in a 50mm grid pattern. All tables, except BuildPro® MAX, have 40mm slots between plates.

Specifications

BUILDPRO BuildPro V-Block Spacer T64211



ORDER CODE	W08012
MODEL	T64211
Suits Table Hole Size (Ø)	16mm
Type	V-Block Spacer

BUILDPRO BuildPro V-Block Spacer T64211

Suits Table Thickness (mm)	~
Diameter (Ø)	Ø38
Quantity Per Pack (No.)	1
Thread	~
Over all Height	27.5mm
Attachment Type	~
Nett Weight (kg)	~