

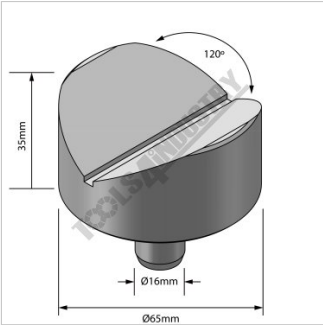
METALMASTER WT16-VB65130



130° V-Pad



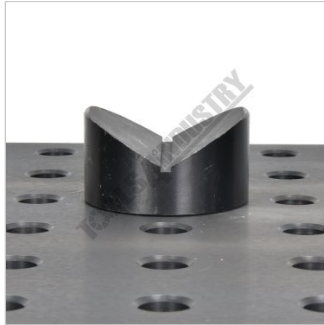
METALMASTER 130° V-Pad WT16-VB65130



Dimensions



16mm Diameter Shank



Shown on Welding Table



Shown Setup with Optional Riser

Features

- Precision machined with V type
- 130 Degree V
- Suits Ø16mm Welding Tables Holes

Specifications

ORDER CODE	W07885
MODEL	WT16-VB65130
Suits Table Hole Diameter (Ø)	16mm
Type	V-Pad
Degree Opening	130 Degree
Size	~
Quantity Per Pack (No.)	1
Suits	~
Nett Weight (kg)	3.0