

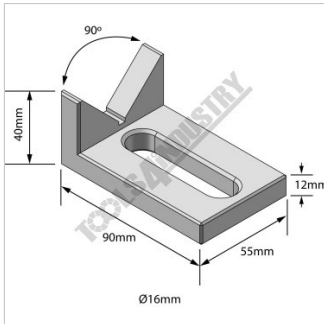
**METALMASTER WT16-VSS90**



**90° V-Square Support**



## METALMASTER 90° V-Square Support WT16-VSS90



Dimensions



Rear View

### Description

This precision machined V-Square can assist in supporting round material & can be used on any welding table with 16mm fixturing holes. They can be used as a stop, V-support, or a platform to allow for infinite adjustments in fixturing.

### Features

- Precision machined
- 90 Degree V
- Slotted base for adjustable positioning
- Suits Ø16mm Welding Tables Holes

### Specifications

<b>ORDER CODE</b>	W07884
<b>MODEL</b>	WT16-VSS90
<b>Suits Table Hole Diameter (Ø)</b>	~
<b>Type</b>	V-Square Support
<b>Degree Opening</b>	90
<b>Size</b>	~
<b>Quantity Per Pack (No.)</b>	~
<b>Suits</b>	~
<b>Nett Weight (kg)</b>	1.0