

METALMASTER WT16-SB115

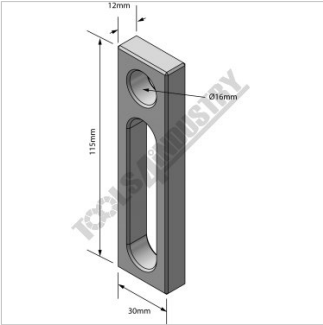


Straight Bar Stop

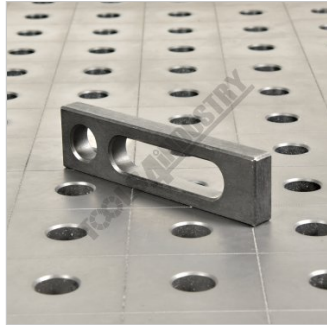
115 x 30 x 12mm



METALMASTER Straight Bar Stop WT16-SB115



Dimension



Shown on Welding Table

Description

These precision machined straight bar stop to use on any welding table with 16mm fixturing holes. They can be used as a stop, table extension or a platform to allow for infinite adjustments in fixturing.

Features

- 16mm precision bored hole
- 12mm thick plate

Specifications

ORDER CODE	W07862
MODEL	WT16-SB115
Hole Diameter (Ø)	16mm
Size (mm)	115 x 30 x 12
Number of Holes (No.)	1
Slot Length (mm)	76
Nett Weight (kg)	0.15