

METALMASTER WT16-TB250

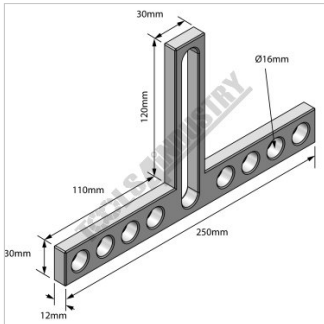


T Bracket

250 x 150 x 30mm, 8 Holes, 1 Slot



METALMASTER T Bracket WT16-TB250



Dimensions



Low View



Shown on Welding Table

Description

These precision machined L bracket ideal for jiggling square frames on any welding table with 16mm fixturing holes. They can be used as a stop, table extension or a platform to allow for infinite adjustments in fixturing.

Features

- 16mm precision bored holes
- Precision machined slot
- 12mm thick plate

Specifications

ORDER CODE	W07858
MODEL	WT16-TB250
Type	T Bracket
Suits Table Hole Diameter (Ø (mm))	Ø16mm
Size (mm)	~
Slot Length (mm)	~
Nett Weight (kg)	2.5