

METALMASTER WT16-TB130

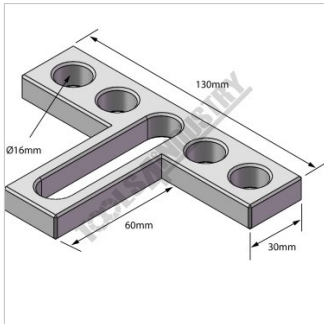


T Bracket

130 x 90 x 30mm, 4 Holes, 1 Slot



METALMASTER T Bracket WT16-TB130



Dimensions



T Bracket 130 x 90 x 30mm



Shown on Welding Table

Description

These precision machined L bracket ideal for jiggling square frames on any welding table with 16mm fixturing holes. They can be used as a stop, table extension or a platform to allow for infinite adjustments in fixturing.

Features

- 16mm precision bored holes
- Precision machined slot
- All plates are 12mm thick

Specifications

ORDER CODE	W07857
MODEL	WT16-TB130
Type	T Bracket
Suits Table Hole Diameter (Ø (mm))	Ø16mm
Size (mm)	~
Slot Length (mm)	~
Nett Weight (kg)	2.5