

METALMASTER WT16-LB155

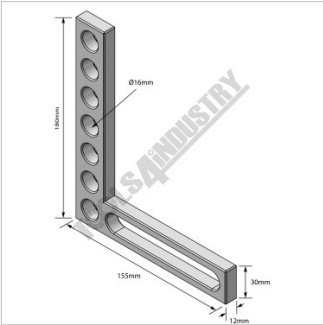


L Bracket

155 x 180 x 30mm, 7 Holes, 1 Slot



METALMASTER L Bracket WT16-LB155



Dimensions



Shown on Welding Table

Description

These precision machined L bracket ideal for jiggling square frames on any welding table with 16mm fixturing holes. They can be used as a stop, table extension or a platform to allow for infinite adjustments in fixturing.

Features

- 16mm precision bored holes
- Precision machined slot
- 12mm thick plate

Specifications

ORDER CODE	W07855
MODEL	WT16-LB155
Type	L Bracket
Suits Table Hole Diameter (Ø (mm))	Ø16mm
Size (mm)	~
Slot Length (mm)	~
Nett Weight (kg)	2.0