

**METALMASTER WT16-LB105**



**L Bracket**

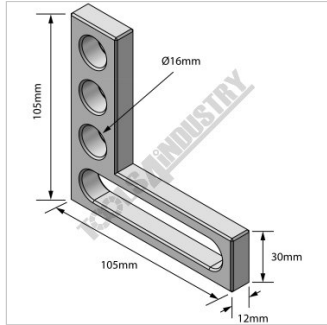
**105 x 105 x 30mm, 3 Holes, 1 Slot**



**METALMASTER L Bracket WT16-LB105**



L Bracket 105x105x12mm



Dimensions



Shown on Welding Table

**Description**

These precision machined L bracket ideal for jiggling square frames on any welding table with 16mm fixturing holes. They can be used as a stop, table extension or a platform to allow for infinite adjustments in fixturing.

**Features**

- 16mm precision bored holes
- Precision machined slot
- 12mm thick plate

**Specifications**

<b>ORDER CODE</b>	W07853
<b>MODEL</b>	WT16-LB105
<b>Type</b>	L Bracket
<b>Suits Table Hole Diameter (Ø (mm))</b>	Ø16mm
<b>Size (mm)</b>	~
<b>Slot Length (mm)</b>	~
<b>Nett Weight (kg)</b>	0.32