

**METALMASTER WT16-CSQ300**

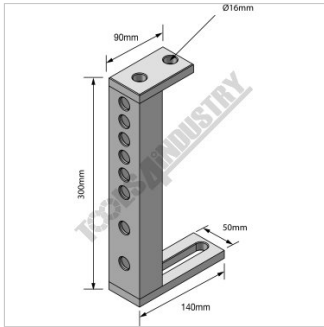


**Clamping Square**

**140 x 90 x 300 x 50mm, 3 machined faces, 300mm high**



## METALMASTER Clamping Square WT16-CSQ300



Dimensions



Low View



100mm 200mm 300mm  
Range Available

### Description

These three-sided clamping squares feature machined square surfaces for a variety of clamping applications. Clamping squares can be used as part of your framework to support clamps & other fixtures at varying heights.

Stack clamping squares as needed to match the height of tall workpieces or add fixture components such as V-Blocks to hold your workpiece vertically or horizontally. The combination of holes and slots provide unlimited versatility in clamping, locating and positioning.

### Features

- 12mm thick steel construction
- Includes 10 x Ø16mm hole & 1 x 105mm slot
- 3 machined faces

### Specifications

<b>ORDER CODE</b>	W07848
<b>MODEL</b>	WT16-CSQ300
<b>Type</b>	Clamping Square
<b>Suits Table Hole Diameter (Ø (mm))</b>	Ø16mm
<b>Size (mm)</b>	140 x 90 x 300 x 50mm
<b>Slot Length (mm)</b>	~
<b>Nett Weight (kg)</b>	0.32