

**METALMASTER WT16-CSQ100**

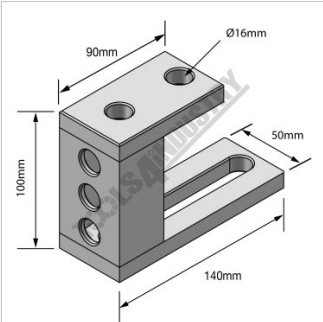


**Clamping Square**

**140 x 90 x 105 x 50mm, 3 machined faces, 100mm high**



**METALMASTER Clamping Square WT16-CSQ100**



Dimensions



Clamping Square 100mm



Low View



100mm 200mm 300mm  
Range Available

**Description**

These three-sided clamping squares feature machined square surfaces for a variety of clamping applications. Clamping squares can be used as part of your framework to support clamps & other fixtures at varying heights.

Stack clamping squares as needed to match the height of tall workpieces or add fixture components such as V-Blocks to hold your workpiece vertically or horizontally. The combination of holes and slots provide unlimited versatility in clamping, locating and positioning.

**Features**

- 12mm thick steel construction
- Includes 5 x Ø16mm hole & 1 x 105mm slot
- 3 machined faces

**Specifications**

<b>ORDER CODE</b>	W07846
<b>MODEL</b>	WT16-CSQ100
<b>Type</b>	Clamping Square
<b>Suits Table Hole Diameter (Ø (mm))</b>	Ø16mm
<b>Size (mm)</b>	140 x 90 x 100 x 50mm
<b>Slot Length (mm)</b>	~
<b>Nett Weight (kg)</b>	0.32