

METALMASTER WT16-AB1405x1

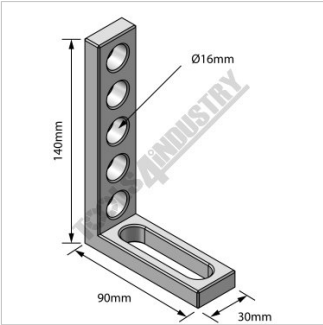
METALMASTER

Right Angle Bracket / Stop

140 x 90 x 30mm, 5 Holes, 1 Slot



METALMASTER Right Angle Bracket / Stop WT16-AB1405x1



Dimension



Shown on Welding Table

Description

These precision machined angle brackets are designed for a variety of clamping applications for materials at 90°. Add fixture components such as V-Blocks to hold your workpiece vertically or horizontally & with the combination of holes and slots providing unlimited versatility in clamping, locating and positioning.

Features

- 16mm precision bored holes
- Precision machined slot
- 12mm thick plate

Specifications

ORDER CODE	W07845
MODEL	WT16-AB1405x1
Type	Right Angle Bracket / Stop
Suits Table Hole Diameter (Ø (mm))	Ø16mm
Size (mm)	140 x 90 x 30mm
Slot Length (mm)	~
Nett Weight (kg)	0.32