

**METALMASTER WT16-AB943**



**Right Angle Bracket / Stop**

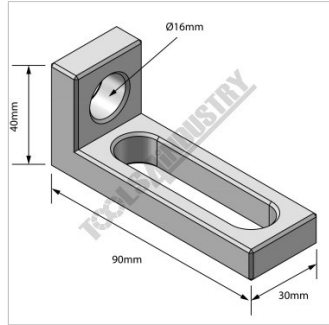
**90 x 40 x 30mm, 1 Hole, 1 Slot**



**METALMASTER Right Angle Bracket / Stop WT16-AB943**



Angle Bracket 90x40x30mm



Dimensions



Shown on Welding Table

**Description**

These precision machined angle brackets hold materials at 90° on any welding table with 16mm fixturing holes. They can be used as a stop, table extension or a platform to allow for infinite adjustments in fixturing.

**Features**

- 16mm precision bored hole
- Precision machined slot
- 12mm thick plate

**Specifications**

<b>ORDER CODE</b>	W07841
<b>MODEL</b>	WT16-AB943
<b>Type</b>	Right Angle Bracket / Stop
<b>Suits Table Hole Diameter (Ø (mm))</b>	Ø16mm
<b>Size (mm)</b>	~
<b>Slot Length (mm)</b>	66
<b>Nett Weight (kg)</b>	0.15