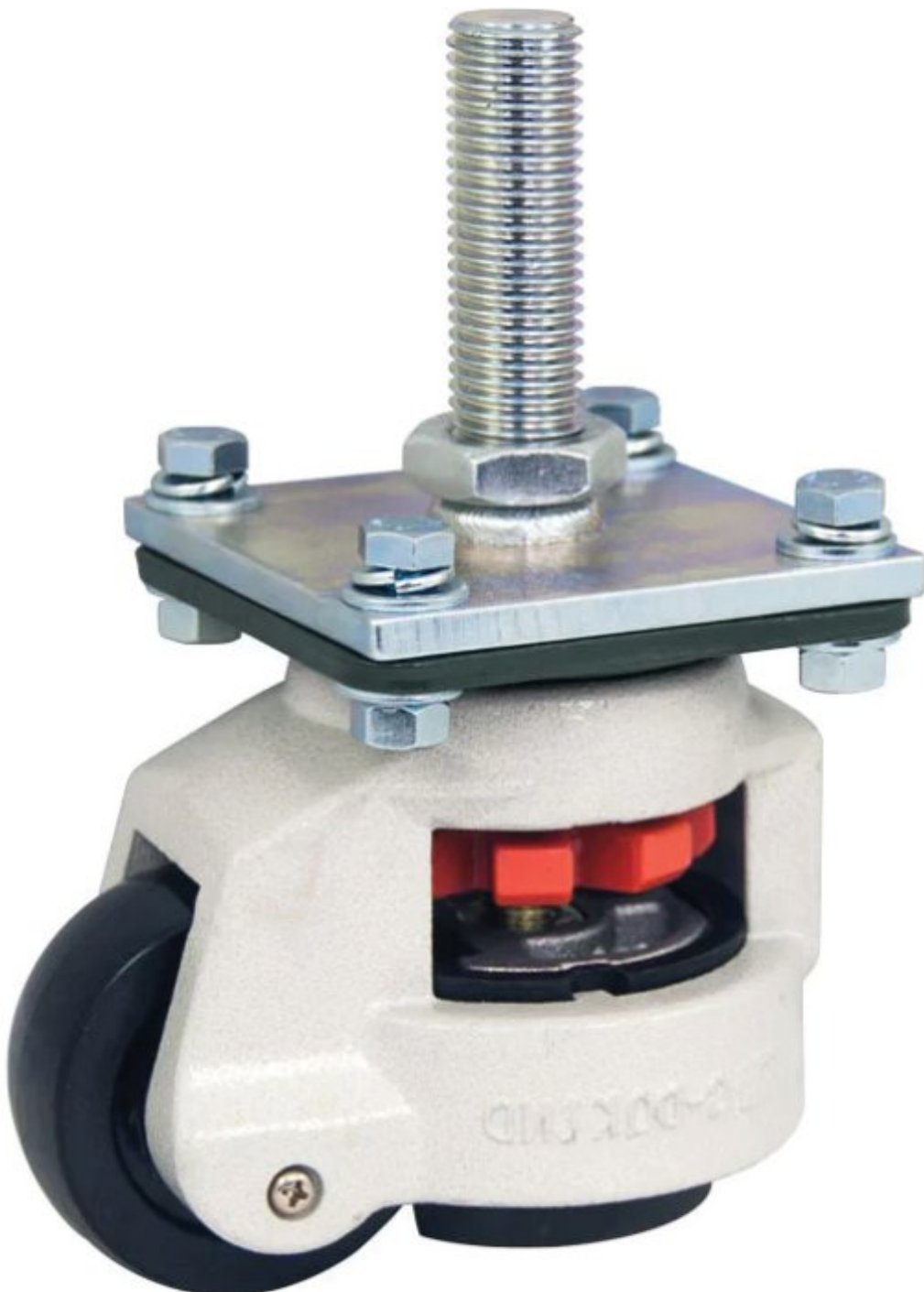


**BUILDPRO TMLC600**

**BuildPro™**

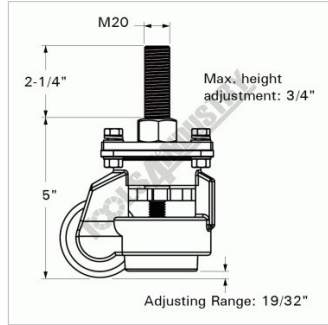
**BuildPro Levelling Caster - 1 Piece**



## BUILDPRO BuildPro Levelling Caster - 1 Piece TMLC600



Shown on Leg



Drawing

### Description

Your BuildPro™ table can be both mobile and fully stationary. These compact, heavy duty levelling casters are the simple way to move and level your BuildPro™ Welding Table. Turn the thumbwheel to lower the wheels and move the table. (Sold individually)

Mobility Caster: Durable caster rolls smoothly on precision ball bearings, with non-marking, non-marring nylon polymer wheels. Dual toe-step braking system can be set for “no-swivel + no-roll”. This caster will add 146mm to your total tabletop surface height.

### Features

- M20 Thread
- 500kg Load Capacity
- 19mm Maximum height adjustment

### Includes

- 1 x TMLC600 Levelling Caster

### Specifications

<b>ORDER CODE</b>	W07748
<b>MODEL</b>	TMLC600
<b>Quantity of Wheels in Pack (No.)</b>	1
<b>Wheel Type</b>	~
<b>Wheel Diameter (mm)</b>	~
<b>Wheel Width (mm)</b>	~
<b>Total Height to Top of Plate (mm)</b>	~
<b>Load Capacity per Wheel (kg)</b>	~
<b>Load Capacity per Set (kg)</b>	~
<b>Nett Weight (kg)</b>	1.95