

SAFEWAY PHV-200



Safeway Mechanical/Hydraulic Machine Vice

200mm Jaw Width



SAFEWAY Safeway Mechanical/Hydraulic Machine Vice PHV-200



Right View



Shown with Vice Pin in 1st Position



Side View Shown with Vice Pin in 3rd Position



Hydraulic Tension with Handle



Knurled Head Lifting Pins



Removable Jaws

Description

200mm MECHANICAL/HYDRAULIC MACHINE VICE: Precision manufactured from rigid material - Ductile iron FCD60JIS (equal to GGG60) with 60kg/mm² or 80,000 psi tensile strength.

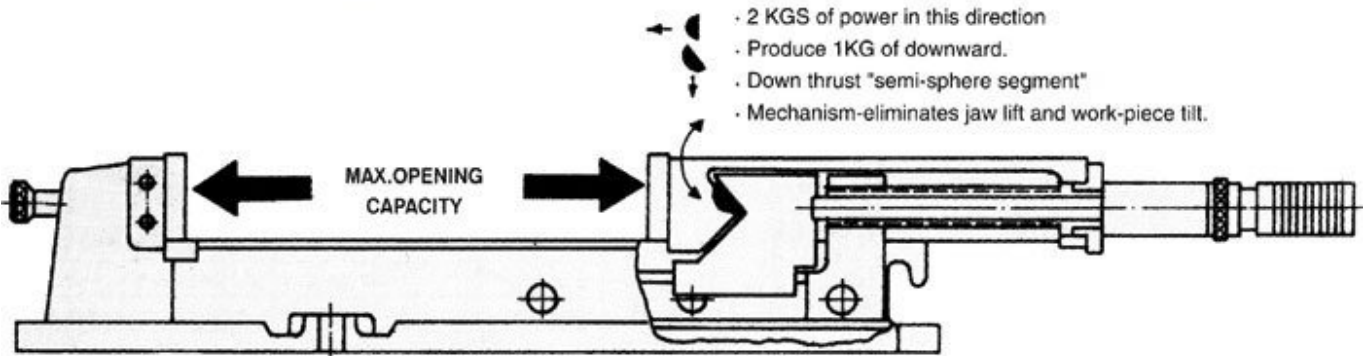
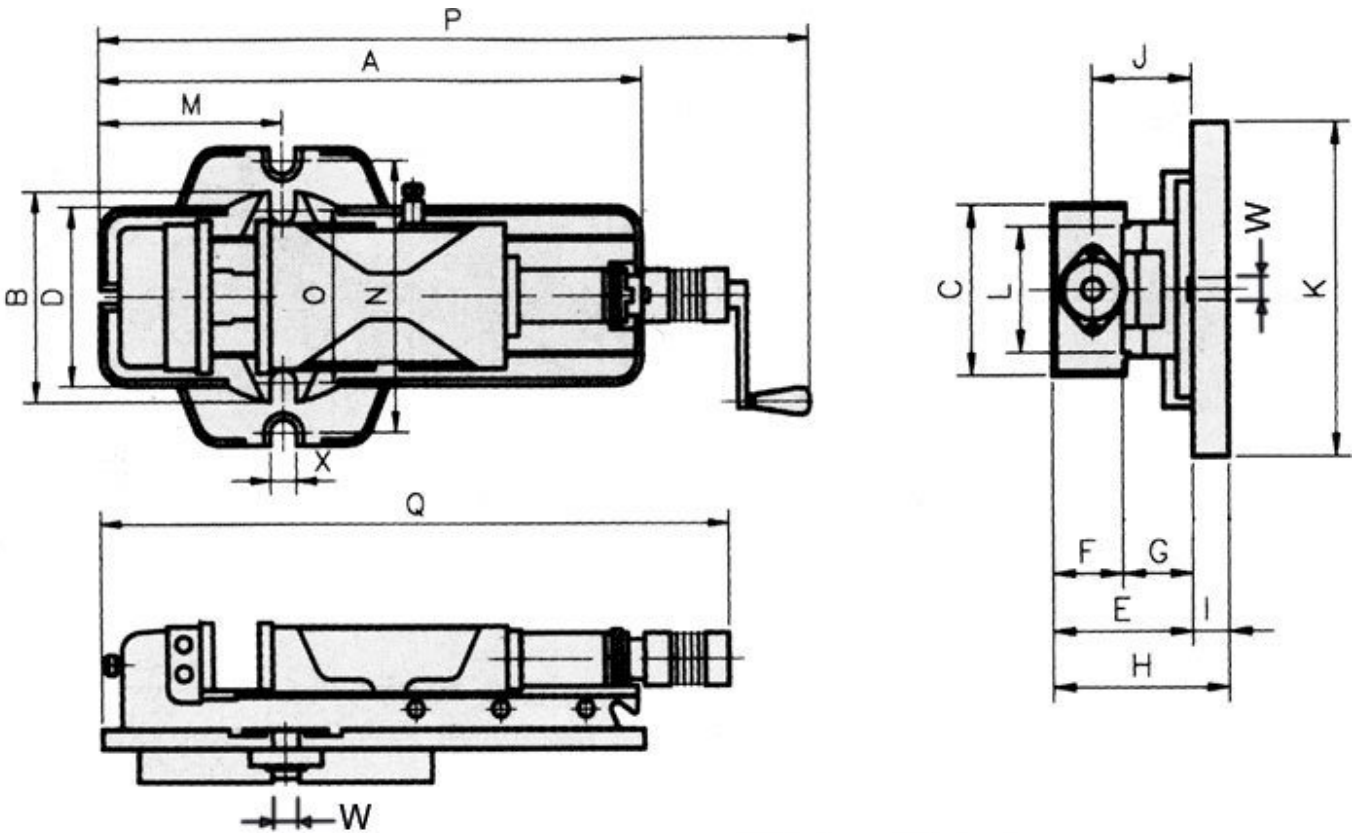
;All Safeway vices are precision ground and the surfaces set to the tolerances set out below. This allows these vices to be used in pairs and multiple configurations.

Features

- Flame-hardened to HRC 45 to take up wear and maintain accuracy
- The semi-sphere segment eliminates movable jaw lifting and creates a down force of 1kg for every 2kg of clamping force, preventing the work piece from tilting
- The hydraulic cylinder is mounted externally for easy maintenance
- Large clamping range through screw adjustment and 3 pin positions in the base.
- The vise can be used in either a mechanical mode or in a hydraulic mode

Specifications

SAFEWAY Safeway Mechanical/Hydraulic Machine Vice PHV-200



SAFEWAY Safeway Mechanical/Hydraulic Machine Vice PHV-200

ORDER CODE

SAFEWAY Safeway Mechanical/Hydraulic Machine Vice PHV-200

V334

MODEL	PHV-200
C - Jaw Width (mm)	200
Max. - Jaw Opening (mm)	310
F - Jaw Height (mm)	63
Max. Pressure (kgf)	6000
A (mm)	700
B (mm)	280
D (mm)	240
E (mm)	163
G (mm)	100
H (mm)	205
I (mm)	42
J (mm)	125
K (mm)	400
L (mm)	165
M (mm)	265
N (mm)	360
O (mm)	240
P (mm)	830
Q (mm)	725
X (mm)	22
Keyway (W) (mm)	18
Nett Weight (kg)	90