

SAFEWAY PHV-160



Safeway Mechanical/Hydraulic Machine Vice

160mm Jaw Width



SAFEMAN Safeway Mechanical/Hydraulic Machine Vice PHV-160



Front View



Hydraulic Tension with Handle



Knurled Head Lifting Pins



3 Pin Position Clamping Range



Removable Jaws

Description

160mm MECHANICAL/HYDRAULIC MACHINE VICE: Precision manufactured from rigid material - Ductile iron FCD60JIS (equal to GGG60) with 60kg/mm² or 80,000 psi tensile strength.

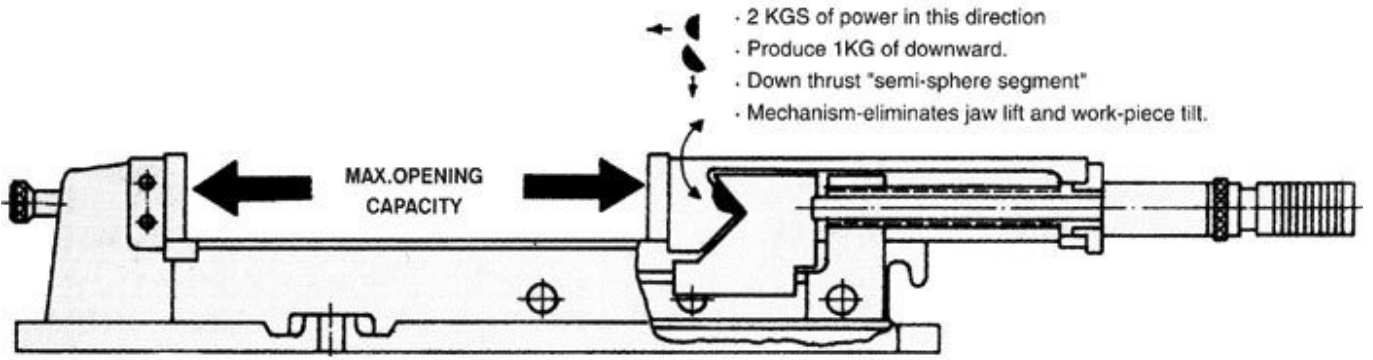
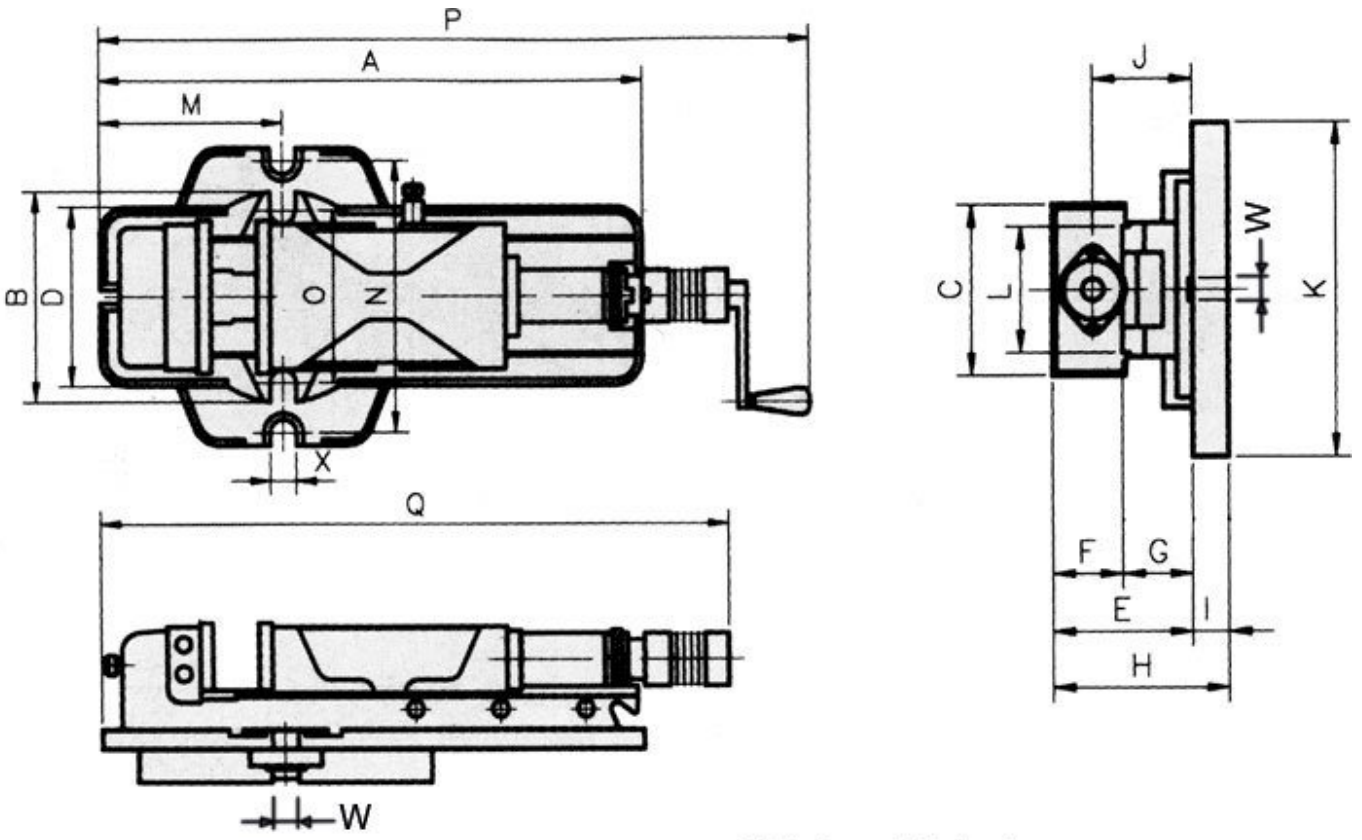
;All Safeway vices are precision ground and the surfaces set to the tolerances set out below. This allows these vices to be used in pairs and multiple configurations.

Features

- Flame-hardened to HRC 45 to take up wear and maintain accuracy
- The semi-sphere segment eliminates movable jaw lifting and creates a down force of 1kg for every 2kg of clamping force, preventing the work piece from tilting
- The hydraulic cylinder is mounted externally for easy maintenance
- Large clamping range through screw adjustment and 3 pin positions in the base.
- The vise can be used in either a mechanical mode or in a hydraulic mode

Specifications

SAFEWAY Safeway Mechanical/Hydraulic Machine Vice PHV-160



SAFEWAY Safeway Mechanical/Hydraulic Machine Vice PHV-160

ORDER CODE

SAFEWAY Safeway Mechanical/Hydraulic Machine Vice PHV-160

V332

MODEL	PHV-160
C - Jaw Width (mm)	160
Max. - Jaw Opening (mm)	310
F - Jaw Height (mm)	58
Max. Pressure (kgf)	4000
A (mm)	625
B (mm)	240
D (mm)	205
E (mm)	140
G (mm)	82
H (mm)	179
I (mm)	39
J (mm)	105
K (mm)	340
L (mm)	125
M (mm)	208
N (mm)	300
O (mm)	196
P (mm)	750
Q (mm)	640
X (mm)	18
Keyway (W) (mm)	16
Nett Weight (kg)	57