

**SAFEWAY PHV-130**



**Safeway Mechanical/Hydraulic Machine Vice**

**130mm Jaw Width**



## SAFEGWAY Safeway Mechanical/Hydraulic Machine Vice PHV-130



Front View



Hydraulic Tension with Handle



Knurled Head Lifting Pins



3 Pin Position Clamping Range



Removable Jaws

### Description

Precision manufactured from rigid material - Ductile iron FCD60JIS (equal to GGG60) with 60kg/mm<sup>2</sup> or 80,000 psi tensile strength.

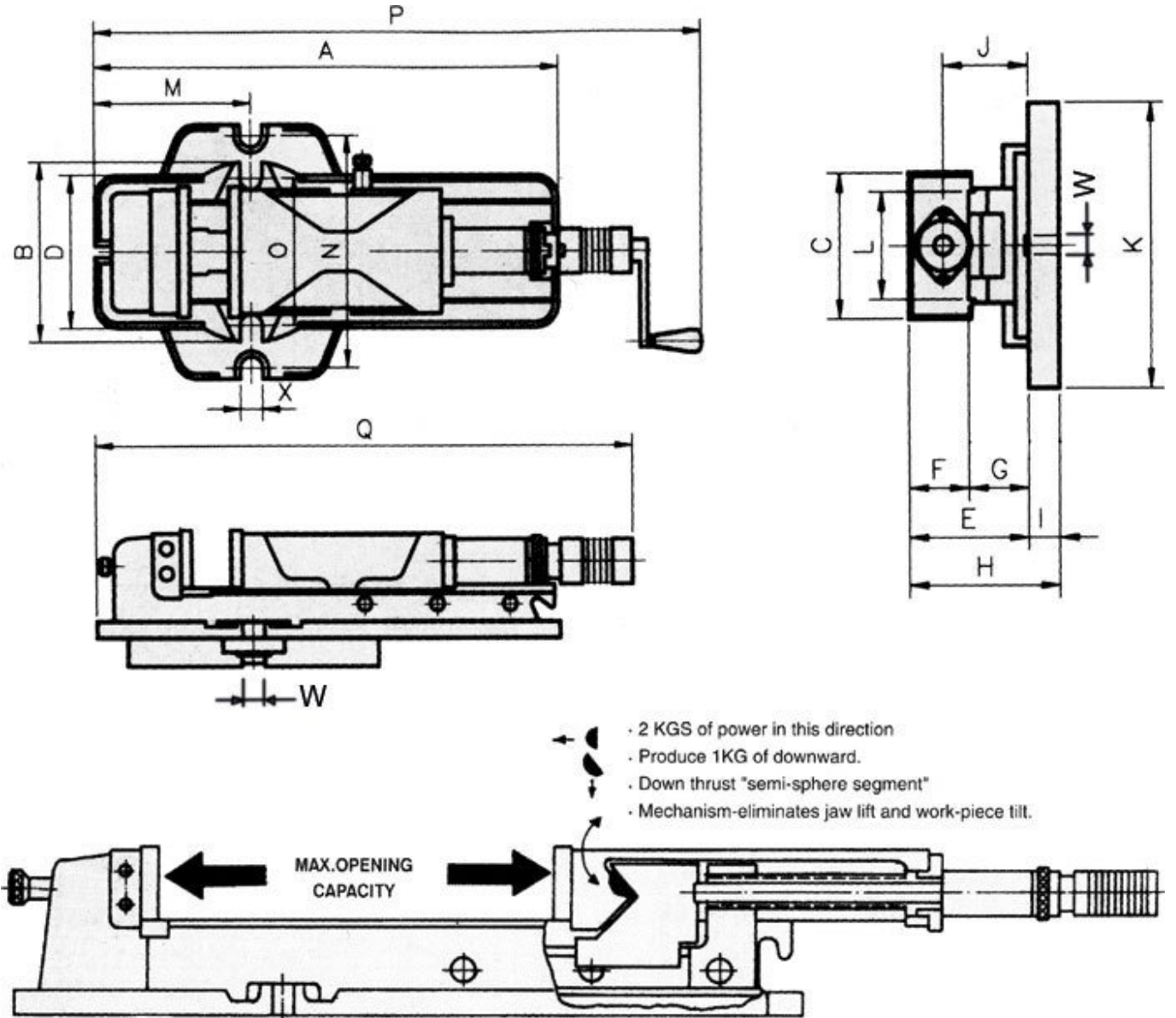
All Safeway vices are precision ground and the surfaces set to the tolerances set out below. This allows these vices to be used in pairs and multiple configurations.

### Features

- Flame-hardened to HRC 45 to take up wear and maintain accuracy
- The semi-sphere segment eliminates movable jaw lifting and creates a down force of 1kg for every 2kg of clamping force, preventing the work piece from tilting
- The hydraulic cylinder is mounted externally for easy maintenance
- Large clamping range through screw adjustment and 3 pin positions in the base.
- The vice can be used in either a mechanical mode or in a hydraulic mode.

**SAFEWAY Safeway Mechanical/Hydraulic Machine Vice PHV-130**

**Specifications**



ORDER CODE	V330
MODEL	PHV-130
C - Jaw Width (mm)	130
Max. - Jaw Opening (mm)	225
F - Jaw Height (mm)	55
Max. Pressure (kgf)	3500
A (mm)	505
B (mm)	190
D (mm)	170

**SAFEWAY Safeway Mechanical/Hydraulic Machine Vice PHV-130**

<b>E (mm)</b>	127
<b>G (mm)</b>	72
<b>H (mm)</b>	163
<b>I (mm)</b>	36
<b>J (mm)</b>	95
<b>K (mm)</b>	290
<b>L (mm)</b>	106
<b>M (mm)</b>	180
<b>N (mm)</b>	250
<b>O (mm)</b>	160
<b>P (mm)</b>	695
<b>Q (mm)</b>	570
<b>X (mm)</b>	18
<b>Keyway (W) (mm)</b>	16
<b>Nett Weight (kg)</b>	37