

SAFEWAY CHV-160V-D



Safeway Compact Hydraulic Vice - Angle Drive

160mm Jaw Width



SAFEWAY Safeway Compact Hydraulic Vice - Angle Drive CHV-160V-D

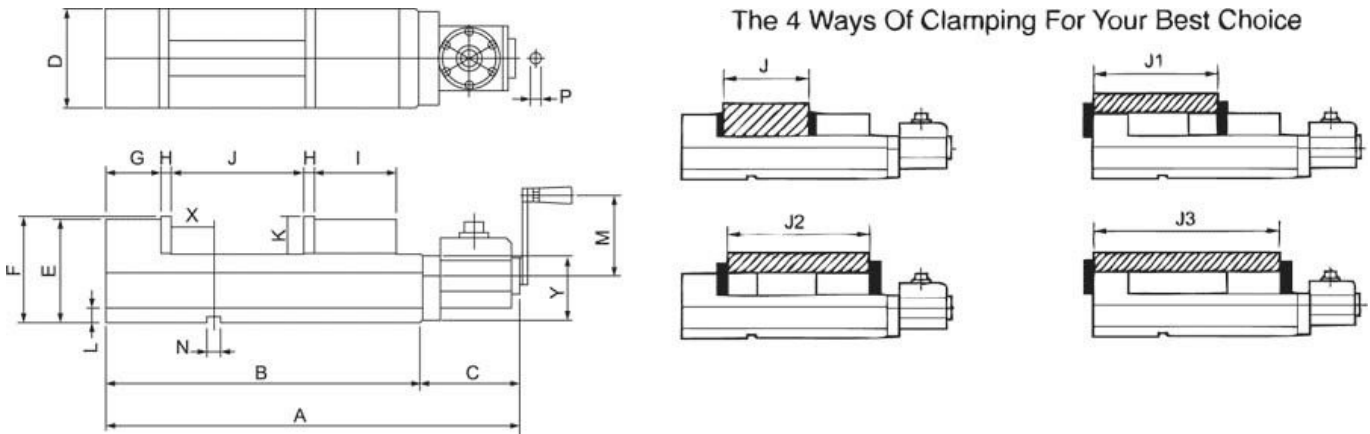
Description

Drive can be operated from either the top of the vice or from the end.

Features

- Precision ground on all surfaces
- Flame-hardened bed to HRC 45
- Semi-sphere to eliminate jaw lift
- Swarf covers over leadscrew
- Toleranced for use as matched pairs
- Full hydraulic function is maintained

Specifications



ORDER CODE	V3225
MODEL	CHV-160V-D
Jaw Width (mm)	160
D - Jaw Width (mm)	161
J - Jaw Opening (mm)	240
J1 - Jaw Opening with Optional Jaws (mm)	240 - 320
J2 - Jaw Opening with Optional Jaws (mm)	240 - 360
J3 - Jaw Opening with Optional Jaws (mm)	240 - 470
K - Jaw Height (mm)	58
Pressure (kgf)	5500
A (mm)	667
B (mm)	495
C (mm)	172
E (mm)	160
F (mm)	163
G (mm)	85
H (mm)	15

SAFEWAY Safeway Compact Hydraulic Vice - Angle Drive CHV-160V-D

I (mm)	130
L (mm)	22
M (mm)	125
N (mm)	18
P (mm)	14
X (mm)	65
Y (mm)	105
Nett Weight (kg)	58