

SAFEWAY CHV-130V-D



Safeway Compact Hydraulic Vice - Angle Drive

130mm Jaw Width



SAFEWAY Safeway Compact Hydraulic Vice - Angle Drive CHV-130V-D

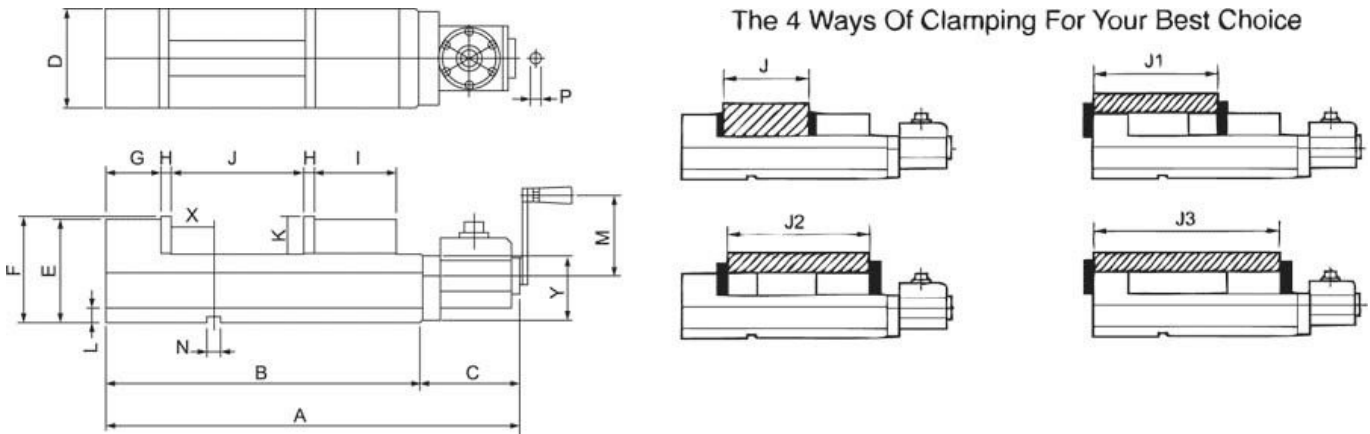
Description

Drive can be operated from either the top of the vice or from the end.

Features

- Precision ground on all surfaces
- Flame-hardened bed to HRC 45
- Semi-sphere to eliminate jaw lift
- swarf covers over leadscrew
- Toleranced for use as matched pairs
- Full hydraulic function is maintained

Specifications



ORDER CODE	V321D
MODEL	CHV-130V-D
Jaw Width (mm)	130
D - Jaw Width (mm)	131
J - Jaw Opening (mm)	180
J1 - Jaw Opening with Optional Jaws (mm)	~
J2 - Jaw Opening with Optional Jaws (mm)	~
J3 - Jaw Opening with Optional Jaws (mm)	~
K - Jaw Height (mm)	55
Pressure (kgf)	4500
A (mm)	577
B (mm)	405
C (mm)	172
E (mm)	147
F (mm)	150
G (mm)	70
H (mm)	15

SAFEWAY Safeway Compact Hydraulic Vice - Angle Drive CHV-130V-D

I (mm)	115
L (mm)	22
M (mm)	125
N (mm)	18
P (mm)	14
X (mm)	65
Y (mm)	95
Nett Weight (kg)	37