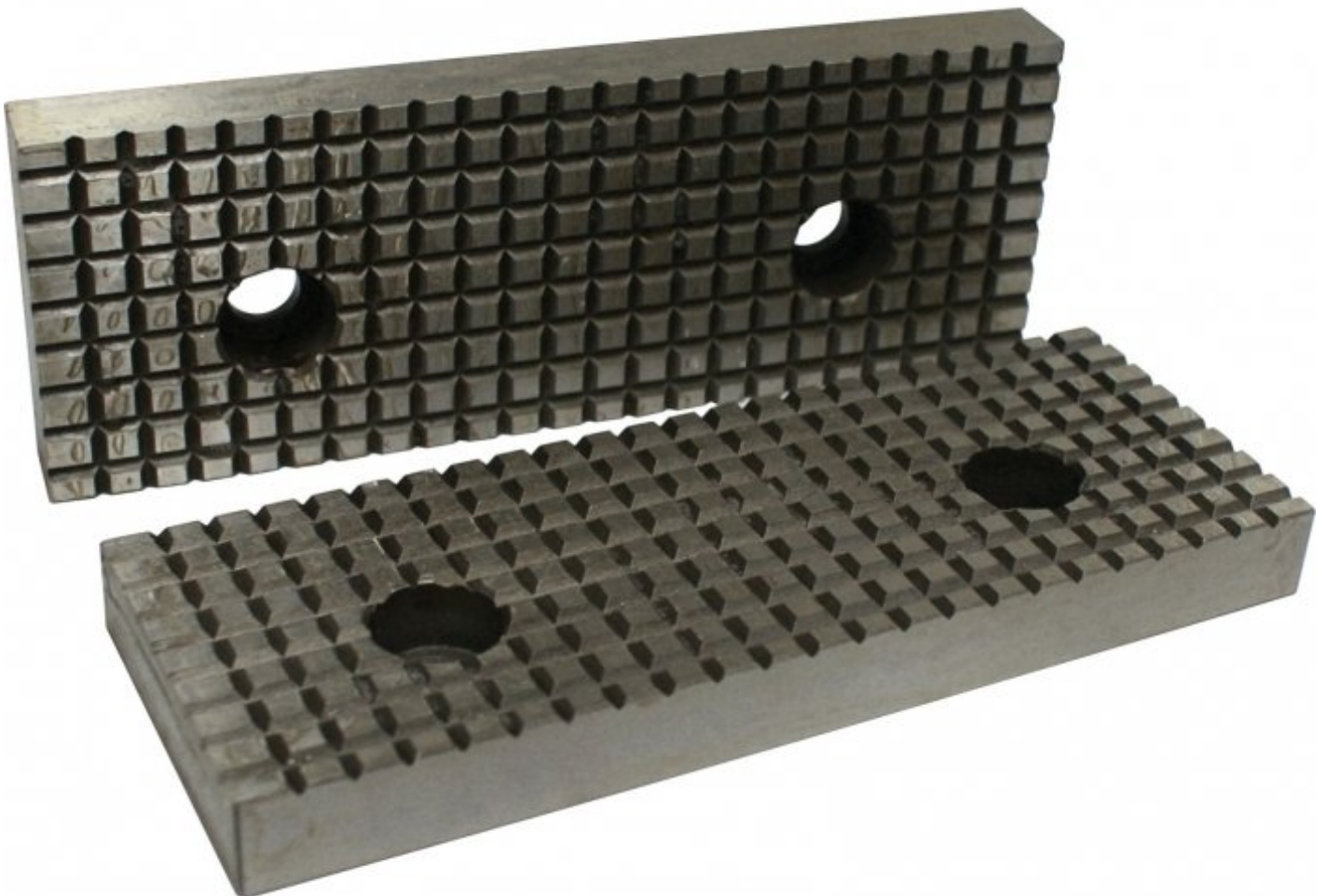


SAFEWAY RJ-160V



Safeway Serrated Hardened Jaws - 160mm



SAFEWAY Safeway Serrated Hardened Jaws - 160mm RJ-160V

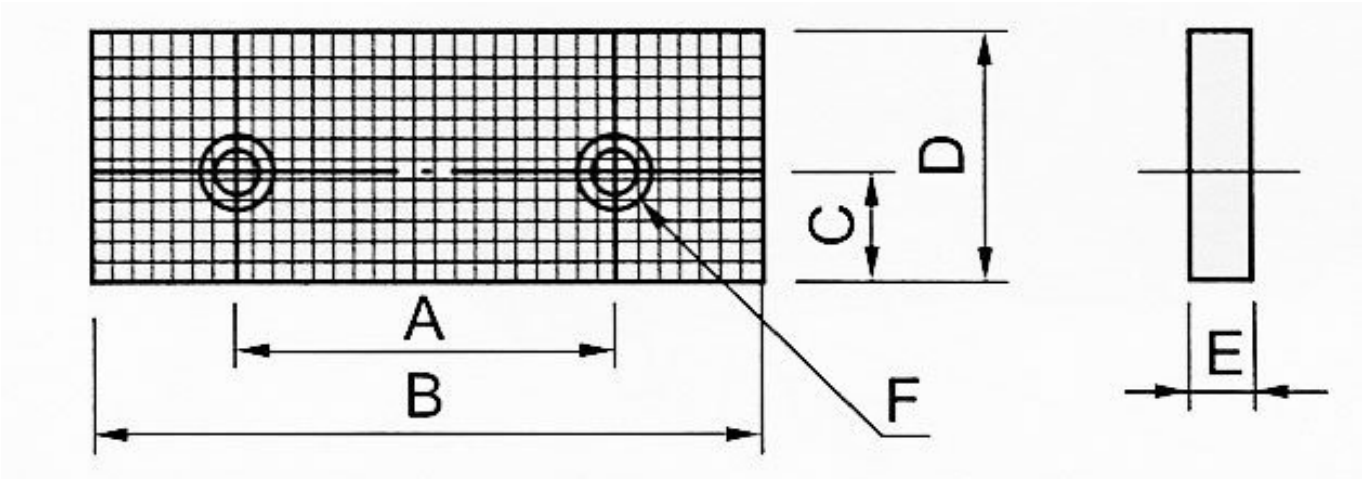
Description

Special application jaws to suit SAFEWAY vice.
Suitable for applications where castings or rough finish pieces need to be clamped.

Features

- Hardened Jaws to HRC55°-58°
- Supplied in pairs

Specifications



ORDER CODE	V3212
MODEL	RJ-160V
Type	Serrated Jaws
A (mm)	90
B (mm)	160
C (mm)	25
D (mm)	58
E (mm)	15
F (mm)	M10 x 20 Long
G (mm)	~
H (mm)	~
J (mm)	~
K (mm)	~
L (mm)	~
M (mm)	~
N (mm)	~
Nett Weight (kg)	4