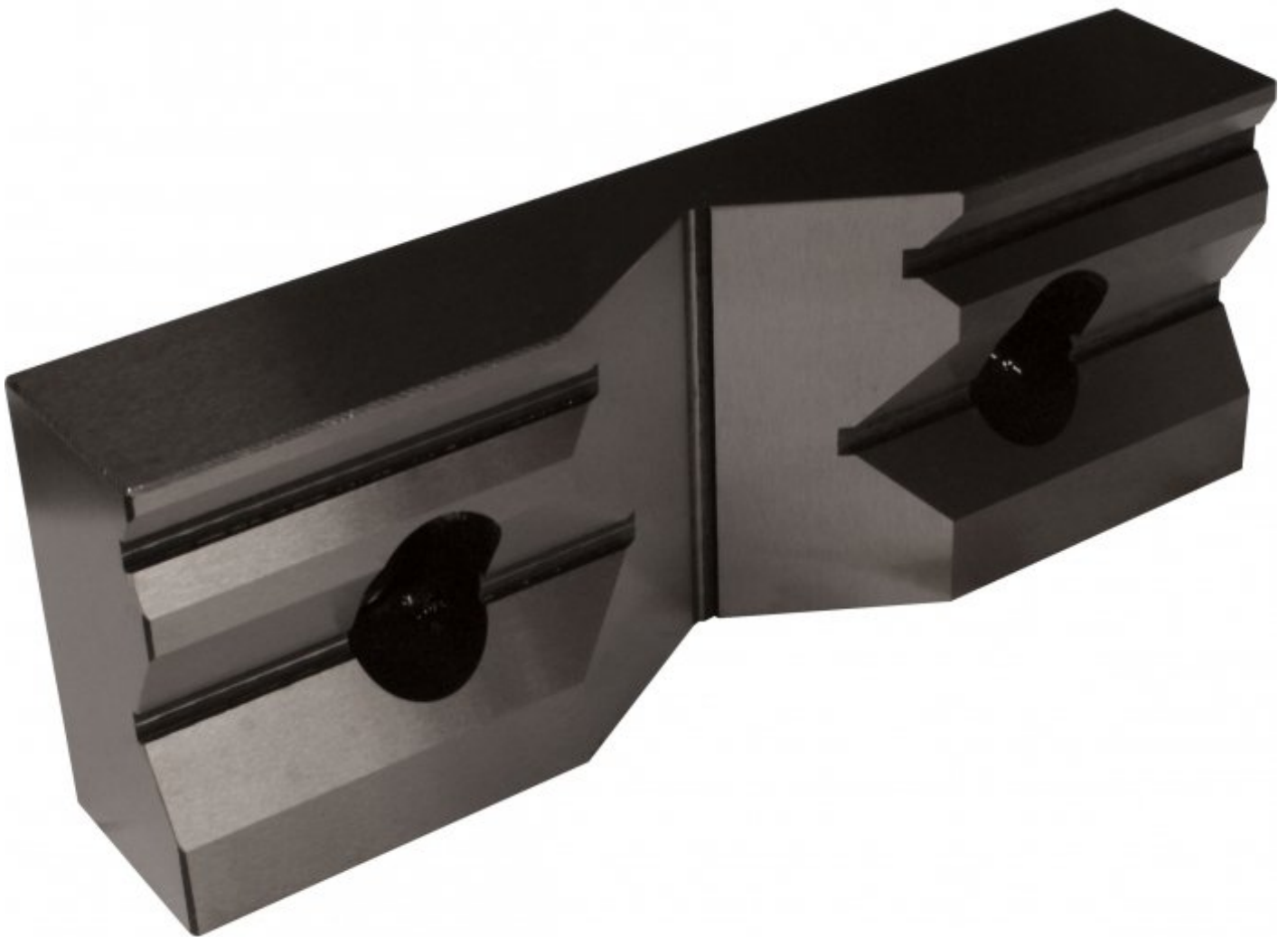


**SAFEWAY CJ-160**



**Safeway Vee Hardened Jaw - 160mm**



**SAFEWAY Safeway Vee Hardened Jaw - 160mm CJ-160**



Top View

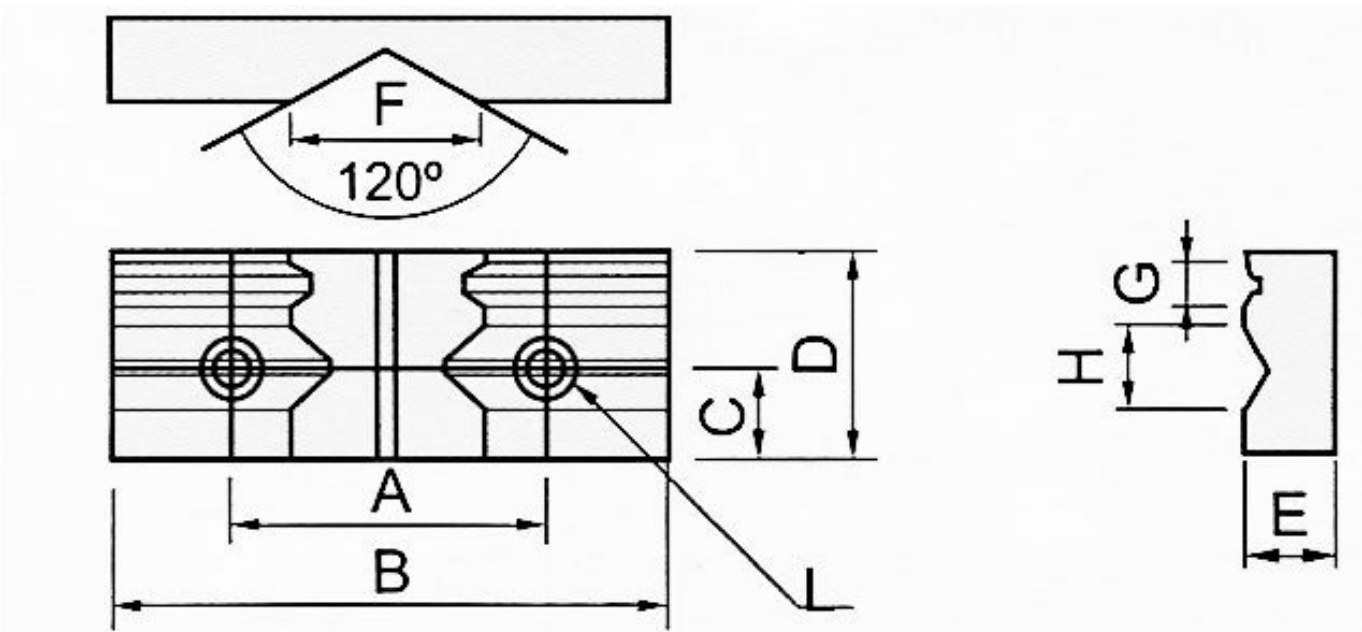
**Description**

Hardened jaws suitable for clamping work pieces where the finished surface is smooth and needs to be protected.

**Features**

- Hardened Jaws to HRC55° -58°
- Holds round work piece 40 -100mm

**Specifications**



<b>ORDER CODE</b>	V3208
<b>MODEL</b>	CJ-160
<b>Type</b>	Vee Jaw - Single
<b>A (mm)</b>	90
<b>B (mm)</b>	160
<b>C (mm)</b>	25
<b>D (mm)</b>	58

**SAFeway Safeway Vee Hardened Jaw - 160mm CJ-160**

<b>E (mm)</b>	30
<b>F (mm)</b>	55
<b>G (mm)</b>	12
<b>H (mm)</b>	25
<b>J (mm)</b>	~
<b>K (mm)</b>	~
<b>L (mm)</b>	M10 x 16 Long
<b>M (mm)</b>	~
<b>N (mm)</b>	~
<b>Nett Weight (kg)</b>	3