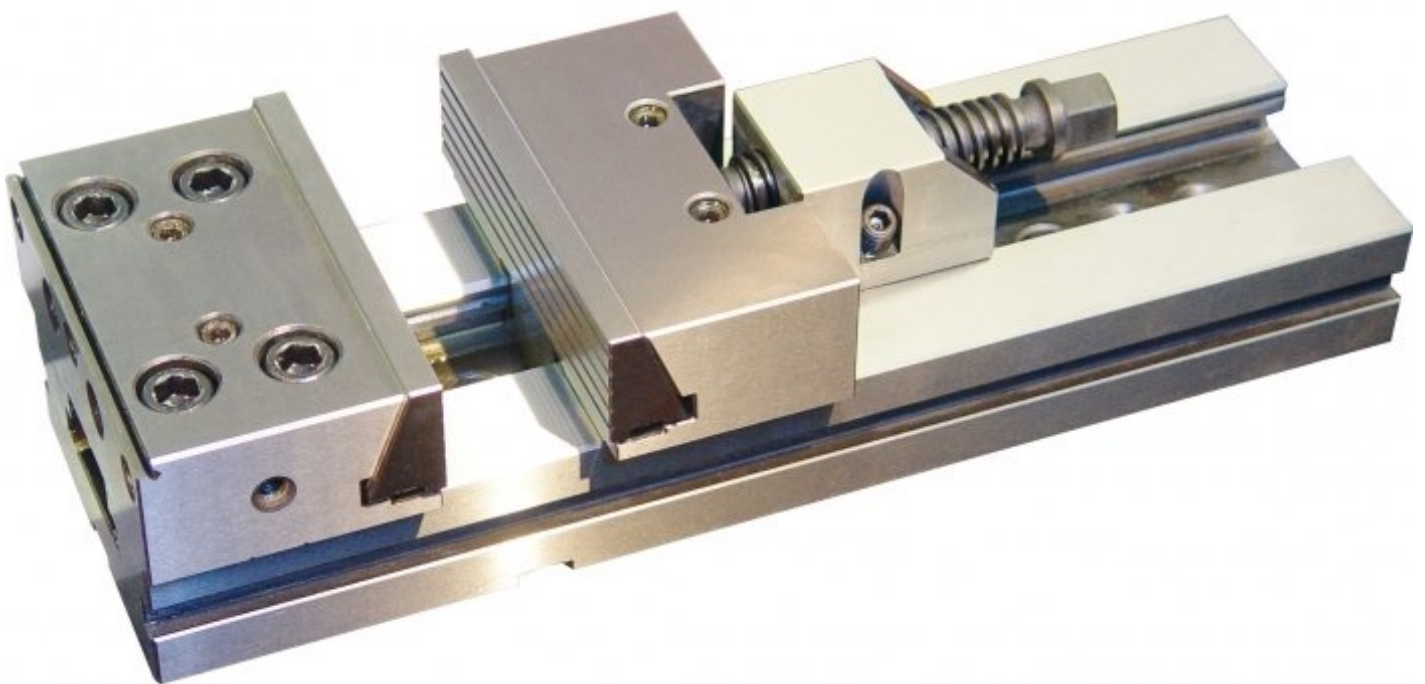




**TOOLMASTER**

**Modular Machine Vice**

**203mm Jaw Width**



## TOOLMASTER Modular Machine Vice

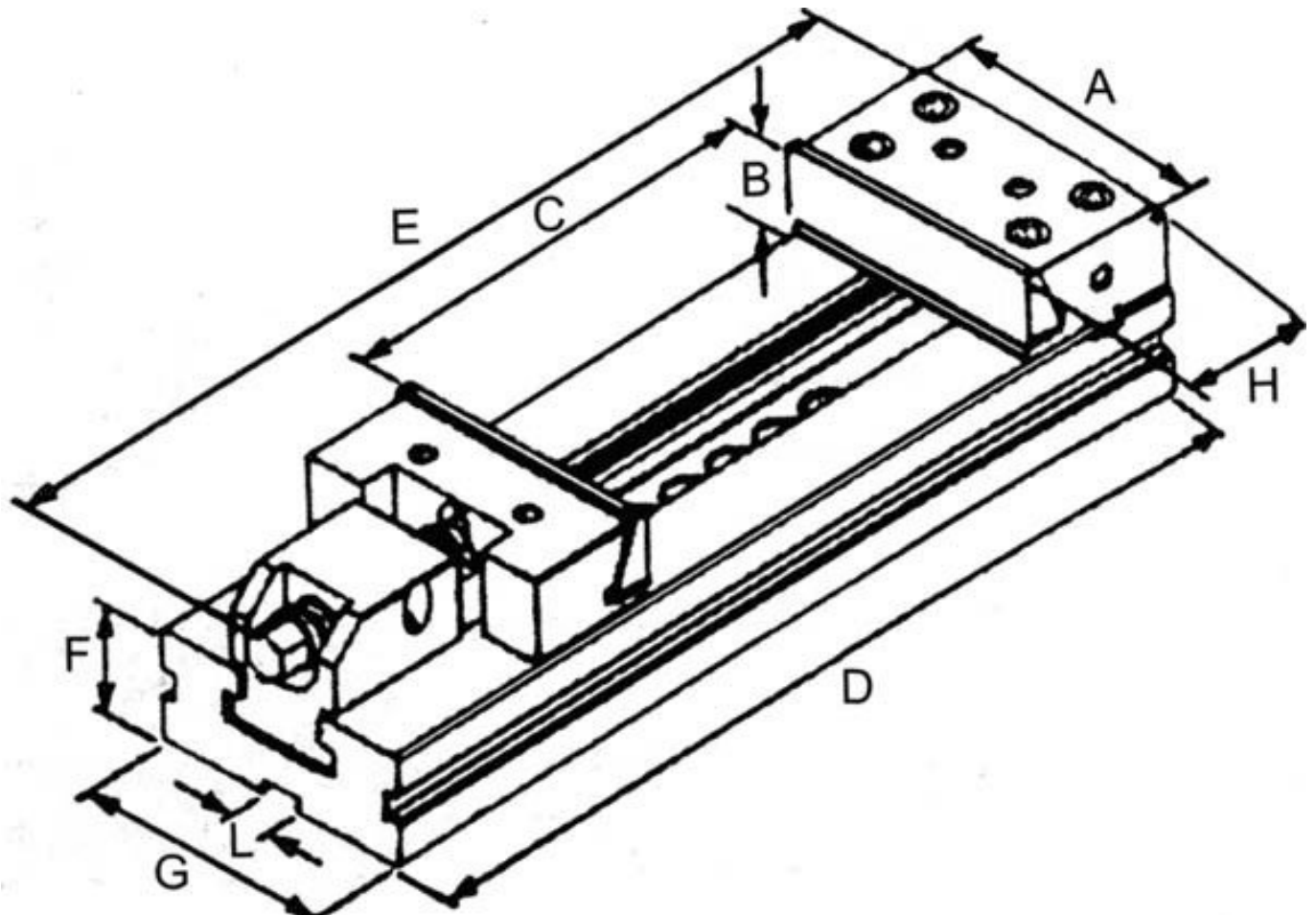
### Description

Toolmaster vices are manufactured under rigid quality control. All Toolmaster vices are interchangeable and can be used as matched pairs.

### Features

- Hardened and ground steel to HRC60, with high precision
- Keyways are 16mm H7 and are toleranced giving perfect alignment and reducing set up time
- Space saving design allows for maximum use of clamping area

### Specifications



<b>ORDER CODE</b>	V312
<b>A - Jaw Width (mm)</b>	203
<b>C - Jaw Opening (mm)</b>	300
<b>B - Jaw Height (mm)</b>	65
<b>D (mm)</b>	595
<b>E (mm)</b>	710
<b>F (mm)</b>	70
<b>G (mm)</b>	170
<b>H (mm)</b>	114
<b>Nett Weight (kg)</b>	70

**TOOLMASTER Modular Machine Vice**