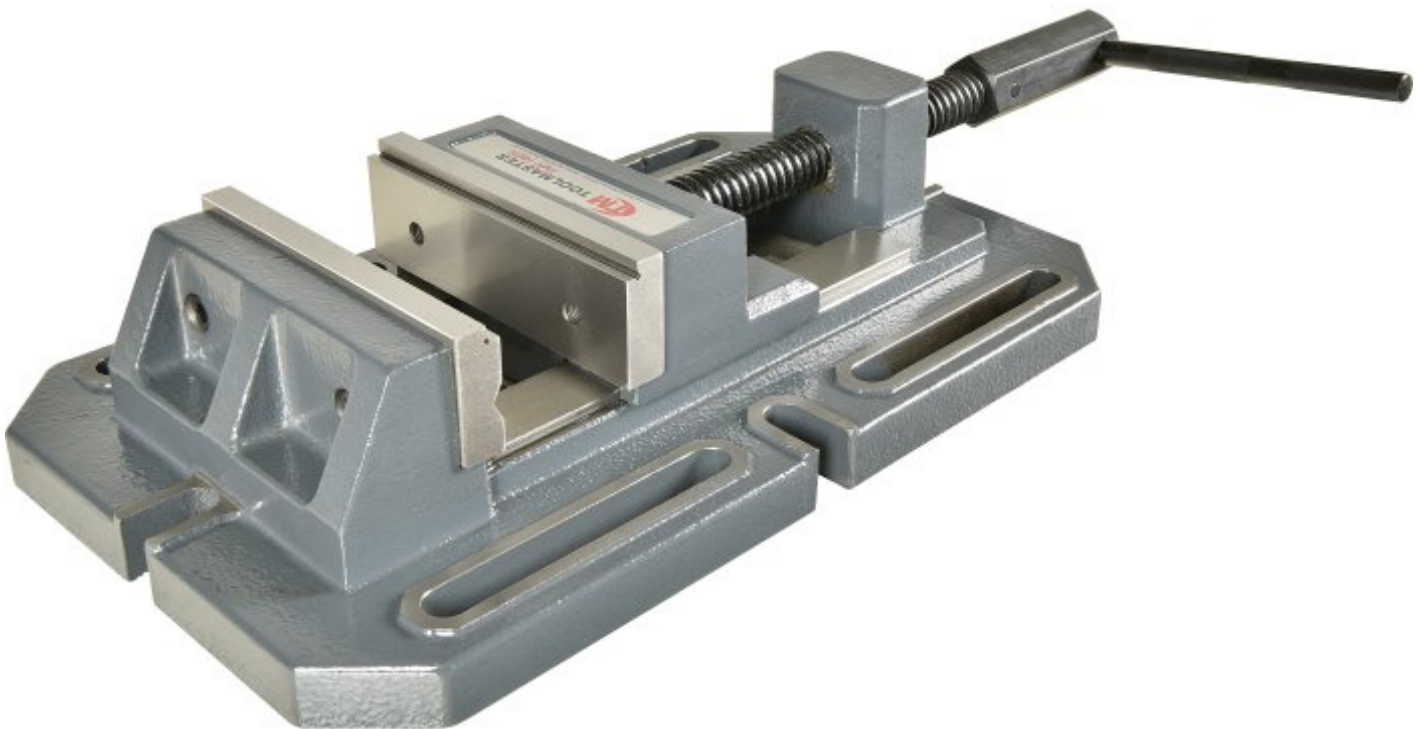


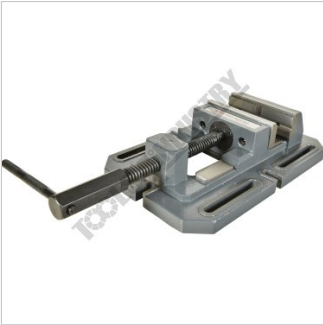
**TOOLMASTER TMV-140H**

**Heavy Duty - Drill Press Vice**

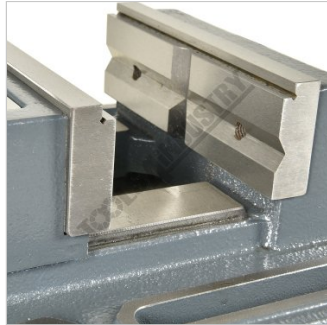
**140mm Jaw Width**



**TOOLMASTER Heavy Duty - Drill Press Vice TMV-140H**



Rear View



Jaws

**Description**

Heavy duty drill vice designed specifically for machine shop or tool room use. The bottom of the base is machined and slots are provided for securing to worktable.

**Features**

- Heavy-duty cast iron construction
- Precision ground prismatic jaws
- Precision ground base & bed for smooth lateral movement of the jaw
- Jaw guides to prevent tilting
- 140mm jaw width
- 150mm jaw opening
- 45mm jaw height

**Specifications**

<b>ORDER CODE</b>	V1551
<b>MODEL</b>	TMV-140H
<b>Type</b>	Heavy Duty Drill Vice
<b>Jaw Width (mm)</b>	140
<b>Jaw Opening (mm)</b>	150
<b>Jaw Depth (mm)</b>	45
<b>Nett Weight (kg)</b>	18