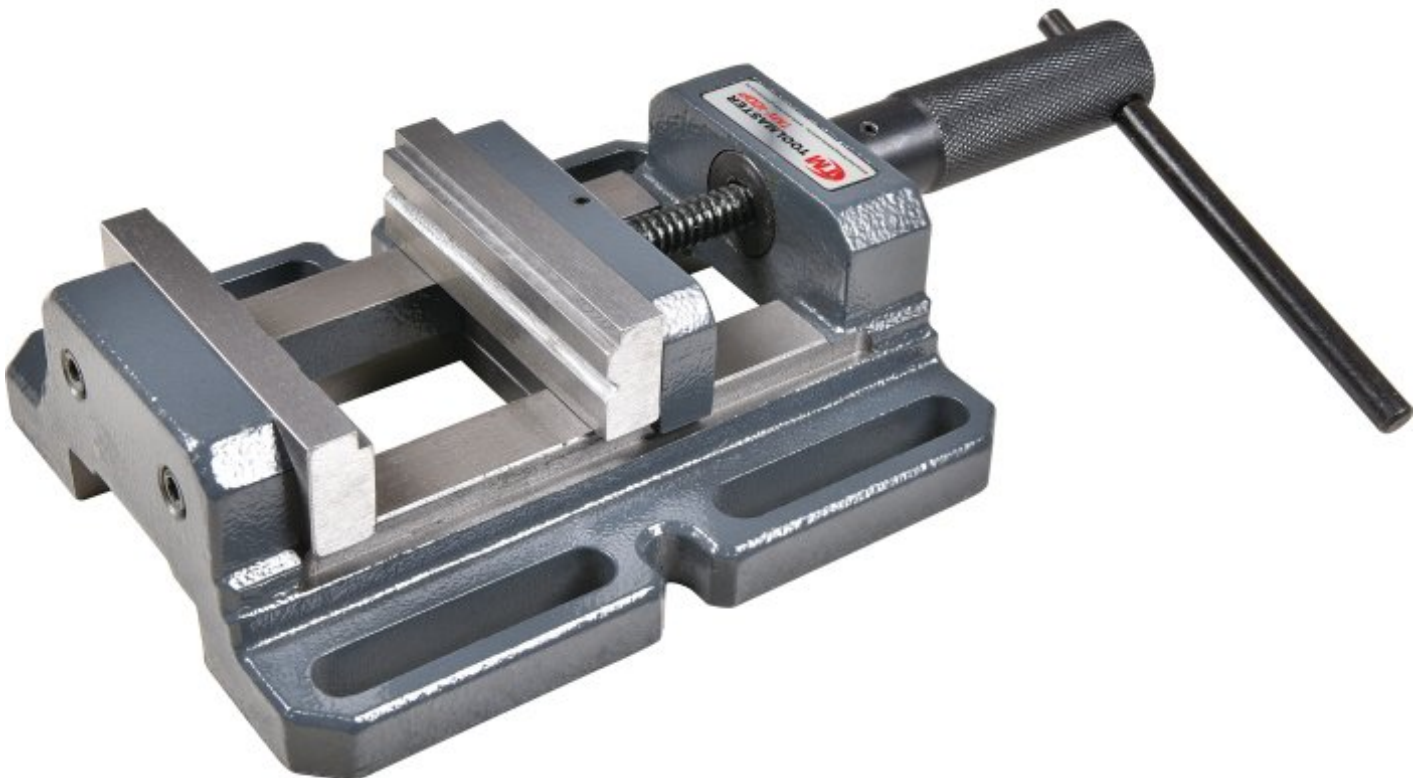


TOOLMASTER TMV-100P

Drill Press Vice

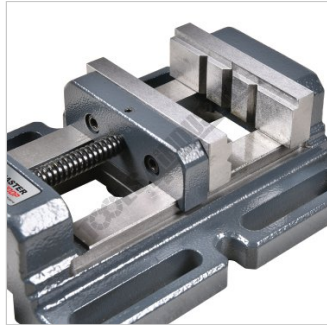
100mm Jaw Width



TOOLMASTER Drill Press Vice TMV-100P



Rear View



Jaws

Description

Manufactured from close grain cast iron.
 The Deluxe Vice comes with jaws that are hardened, with vertical and horizontal grooves for prismatic work.

Features

- 100mm wide hardened and precision ground jaws
- 100mm opening with 50mm throat
- Prismatic jaw for securely clamping round work pieces
- Compact design
- Guide screw lead in mechanism

Specifications

ORDER CODE	V1441
MODEL	TMV-100P
Type	Precision Drill Vice
Jaw Width (mm)	100
Jaw Opening (mm)	100
Jaw Depth (mm)	30
Nett Weight (kg)	5.9