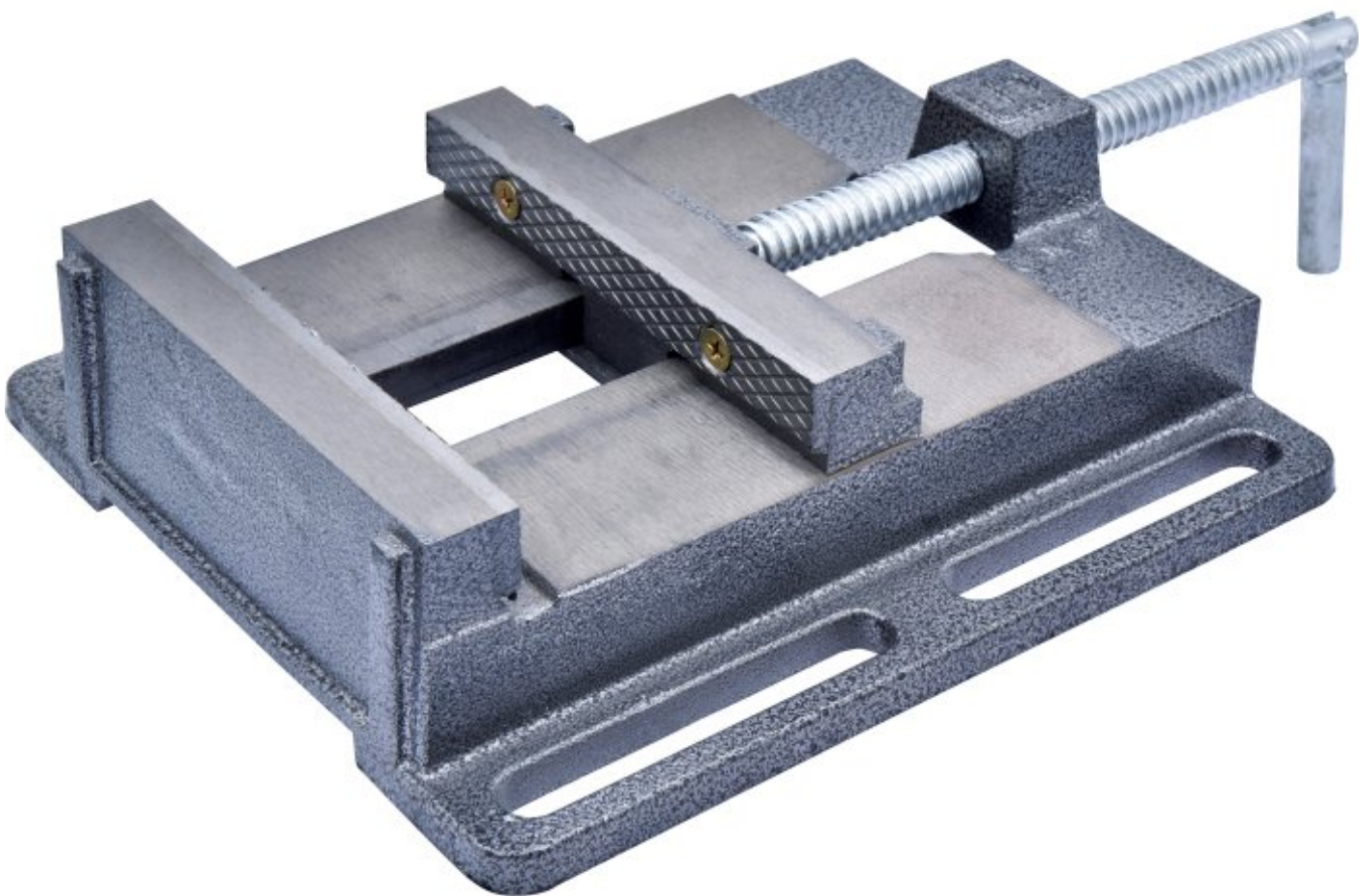


HAFCO Standard



Drill Press Vice

152mm Jaw Width



HAFCO Drill Press Vice Standard

Rear View

Description

Manufactured from close grain cast iron.

Specifications

ORDER CODE	V126
MODEL	~
Type	Drill Vice
Jaw Width (mm)	152
Jaw Opening (mm)	145
Jaw Depth (mm)	27
Nett Weight (kg)	7