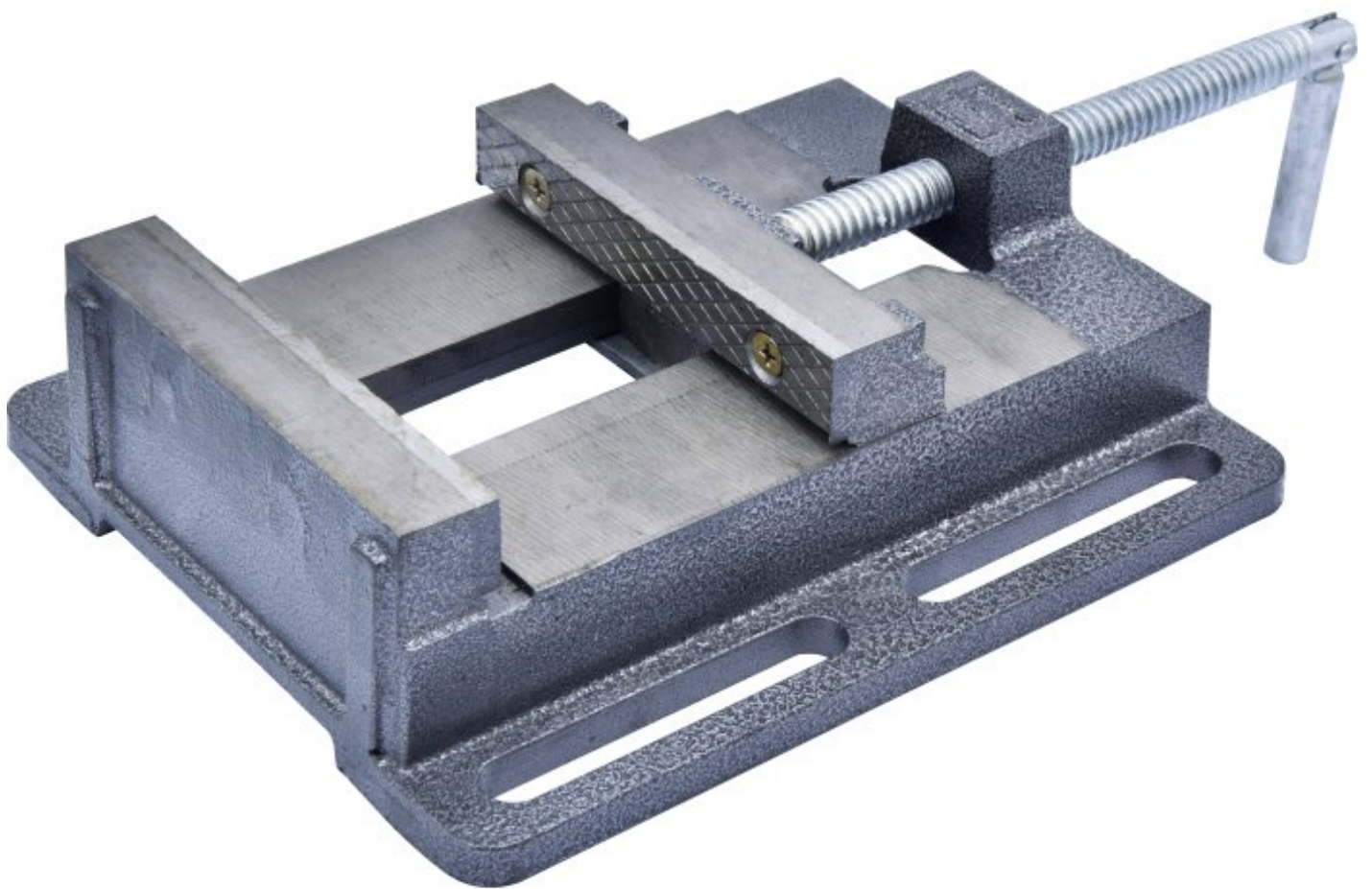


HAFCO Standard

Drill Press Vice

127mm Jaw Width



HAFCO Drill Press Vice Standard

Rear View

Description

Manufactured from close grain cast iron.

Specifications

| | |
|-------------------------|------------|
| ORDER CODE | V125 |
| MODEL | ~ |
| Type | Drill Vice |
| Jaw Width (mm) | 127 |
| Jaw Opening (mm) | 125 |
| Jaw Depth (mm) | 23 |
| Nett Weight (kg) | 5 |