



TOOLMASTER

Tilting & Swivel Machine Vice

152mm Jaw Width



TOOLMASTER Tilting & Swivel Machine Vice

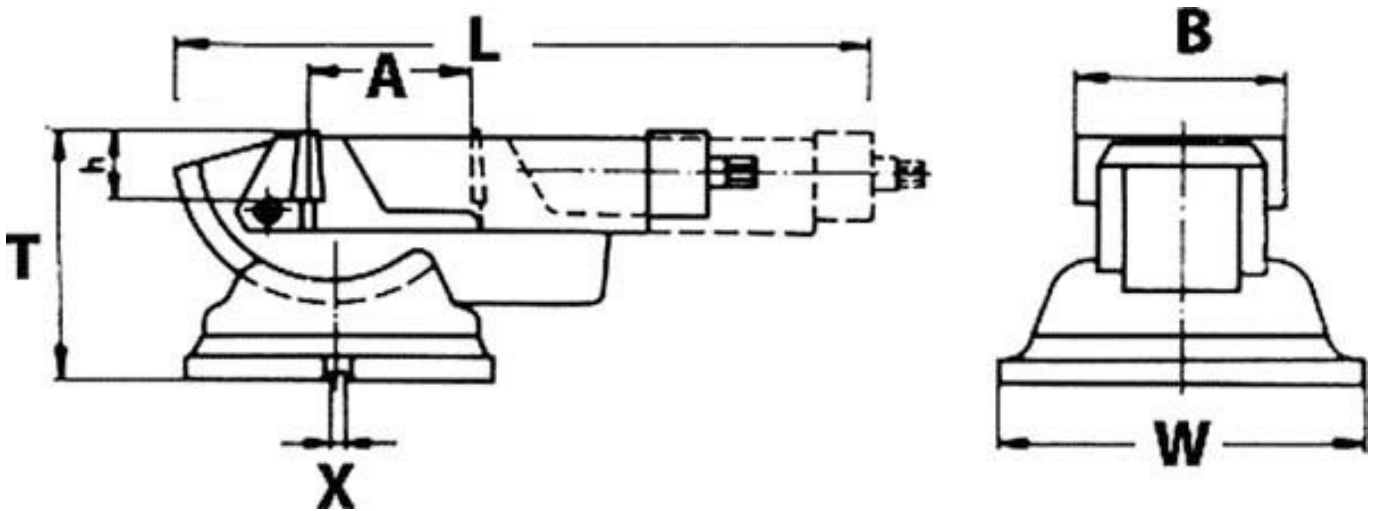
Description

Manufactured from close grain cast iron with hardened alloy jaws.

Features

- Rotates 360° in the horizontal plane
- Tilts from 0 - 90° in the vertical plane
- Graduated degree markings on vice

Specifications



ORDER CODE	V111
B - Jaw Width (mm)	152
A - Jaw Opening (mm)	155
h - Jaw Height (mm)	58
L (Min - Max) (mm)	480 - 630
W (Min - Max) (mm)	230 - 370
X (mm)	17
Nett Weight (kg)	55