

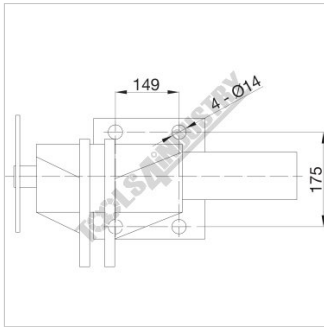
**TOOLMASTER OSV-200**

**200mm Steel Offset Fabricated Bench Vice**

**Right Hand Offset**



**TOOLMASTER 200mm Steel Offset Fabricated Bench Vice OSV-200**



Base Dimensions

**Description**

Fabricated from heavy steel plate and designed for heavy duty work, includes a handy in-built anvil.

**Features**

- Right hand offset design
- In-built anvil
- Hardened serrated jaws
- Double start nut for higher clamping force

**Specifications**

<b>ORDER CODE</b>	V0928
<b>Model</b>	OSV-200
<b>Type</b>	Offset - Right Hand
<b>Jaw Width (mm)</b>	200
<b>Jaw Height</b>	31.75
<b>Jaw Opening (mm)</b>	228
<b>Overall Length (Closed Jaws) (mm)</b>	606
<b>Overall Width (mm)</b>	354
<b>Overall Height (mm)</b>	236
<b>Clamping Force (KN)</b>	60
<b>Nett Weight (kg)</b>	39