

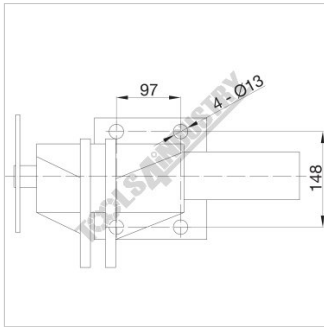
TOOLMASTER OSV-150

150mm Steel Offset Fabricated Bench Vice

Right Hand Offset



TOOLMASTER 150mm Steel Offset Fabricated Bench Vice OSV-150



Base Dimensions

Description

Fabricated from heavy steel plate and designed for heavy duty work, includes a handy in-built anvil.

Features

- Right hand offset design
- In-built anvil
- Hardened serrated jaws
- Double start nut for higher clamping force

Specifications

ORDER CODE	V0926
Model	OSV-150
Type	Offset - Right Hand
Jaw Width (mm)	150
Jaw Height	24
Jaw Opening (mm)	178
Overall Length (Closed Jaws) (mm)	470.5
Overall Width (mm)	275.4
Overall Height (mm)	194.5
Clamping Force (KN)	35
Nett Weight (kg)	22.1