

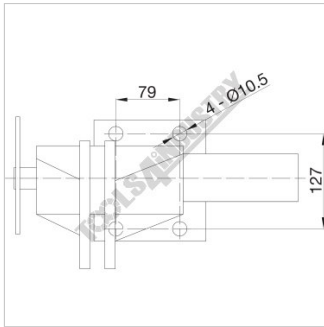
TOOLMASTER OSV-125

125mm Steel Offset Fabricated Bench Vice

Right Hand Offset



TOOLMASTER 125mm Steel Offset Fabricated Bench Vice OSV-125



Base Dimensions

Description

Fabricated from heavy steel plate and designed for heavy duty work, includes a handy in-built anvil.

Features

- Right hand offset design
- In-built anvil
- Hardened serrated jaws
- Double start nut for higher clamping force

Specifications

ORDER CODE	V0925
Model	OSV-125
Type	Offset - Right Hand
Jaw Width (mm)	125
Jaw Height	24
Jaw Opening (mm)	150
Overall Length (Closed Jaws) (mm)	369
Overall Width (mm)	131.1
Overall Height (mm)	160.4
Clamping Force (KN)	25
Nett Weight (kg)	10.8