

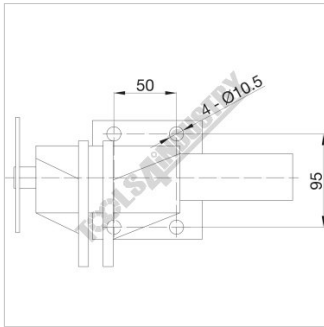
TOOLMASTER OSV-100

100mm Steel Fabricated Offset Bench Vice

Right Hand Offset



TOOLMASTER 100mm Steel Fabricated Offset Bench Vice OSV-100



Base Dimensions

Description

Fabricated from heavy steel plate and designed for heavy duty work, includes a handy in-built anvil.

Features

- Right hand offset design
- In-built anvil
- Hardened serrated jaws
- Double start nut for higher clamping force

Specifications

ORDER CODE	V0924
Model	OSV-100
Type	Offset - Right Hand
Jaw Width (mm)	100
Jaw Height	19
Jaw Opening (mm)	127
Overall Length (Closed Jaws) (mm)	319
Overall Width (mm)	181.5
Overall Height (mm)	135
Clamping Force (KN)	15
Nett Weight (kg)	7.5