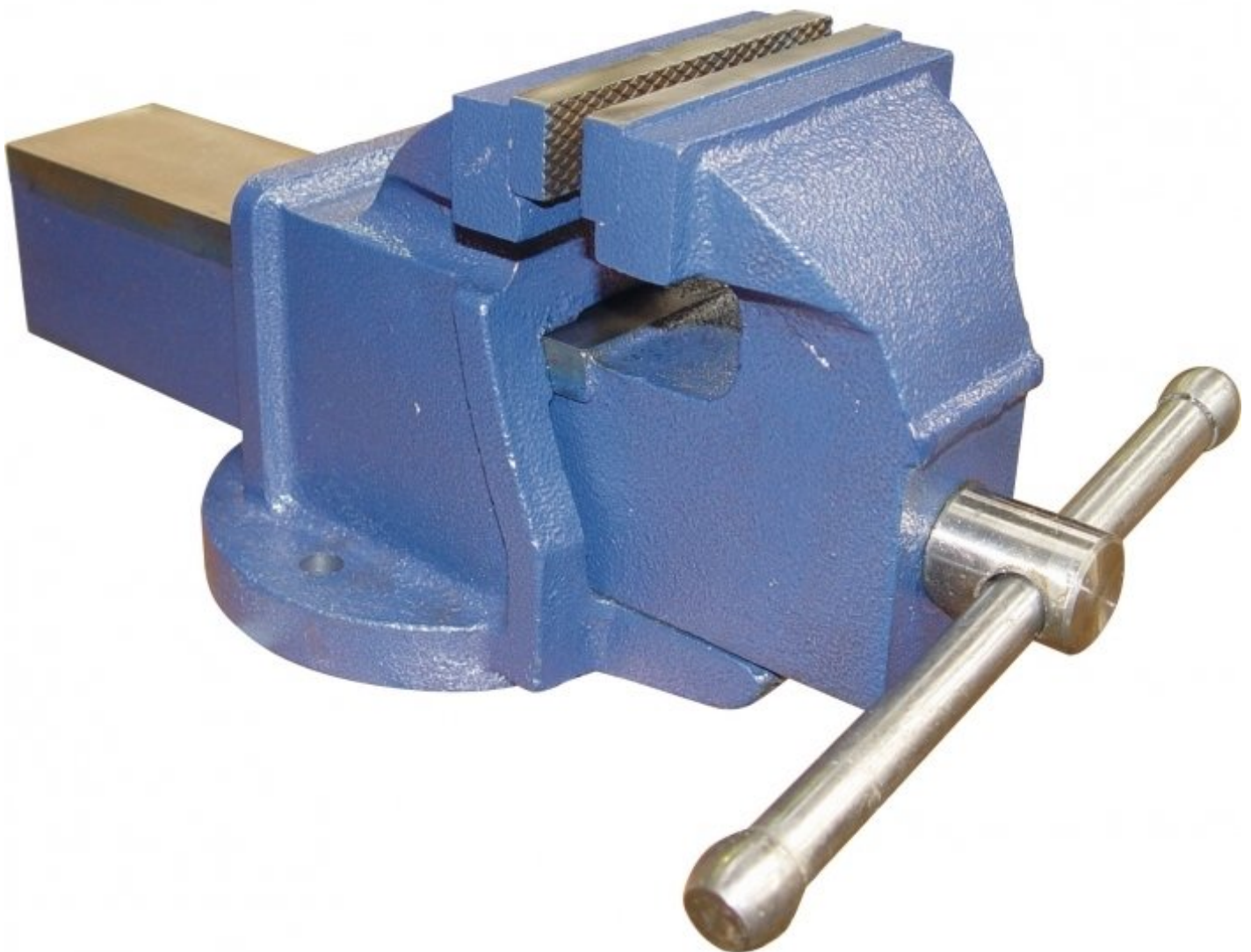


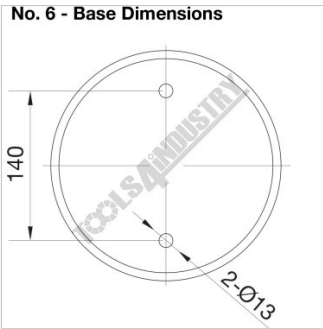


TOOLMASTER No. 6

152mm Cast Iron Bench Vice



TOOLMASTER 152mm Cast Iron Bench Vice No. 6



Base Dimensions

Description

Manufactured from nodular cast iron, and comes fitted with serrated jaws

Features

- Acme screw thread

Specifications

ORDER CODE	V090
Model	No. 6
Type	Bench
Jaw Width (mm)	152
Jaw Height	~
Jaw Opening (mm)	195
Overall Length (Closed Jaws) (mm)	380
Overall Width (mm)	190
Overall Height (mm)	200
Clamping Force (KN)	~
Nett Weight (kg)	23