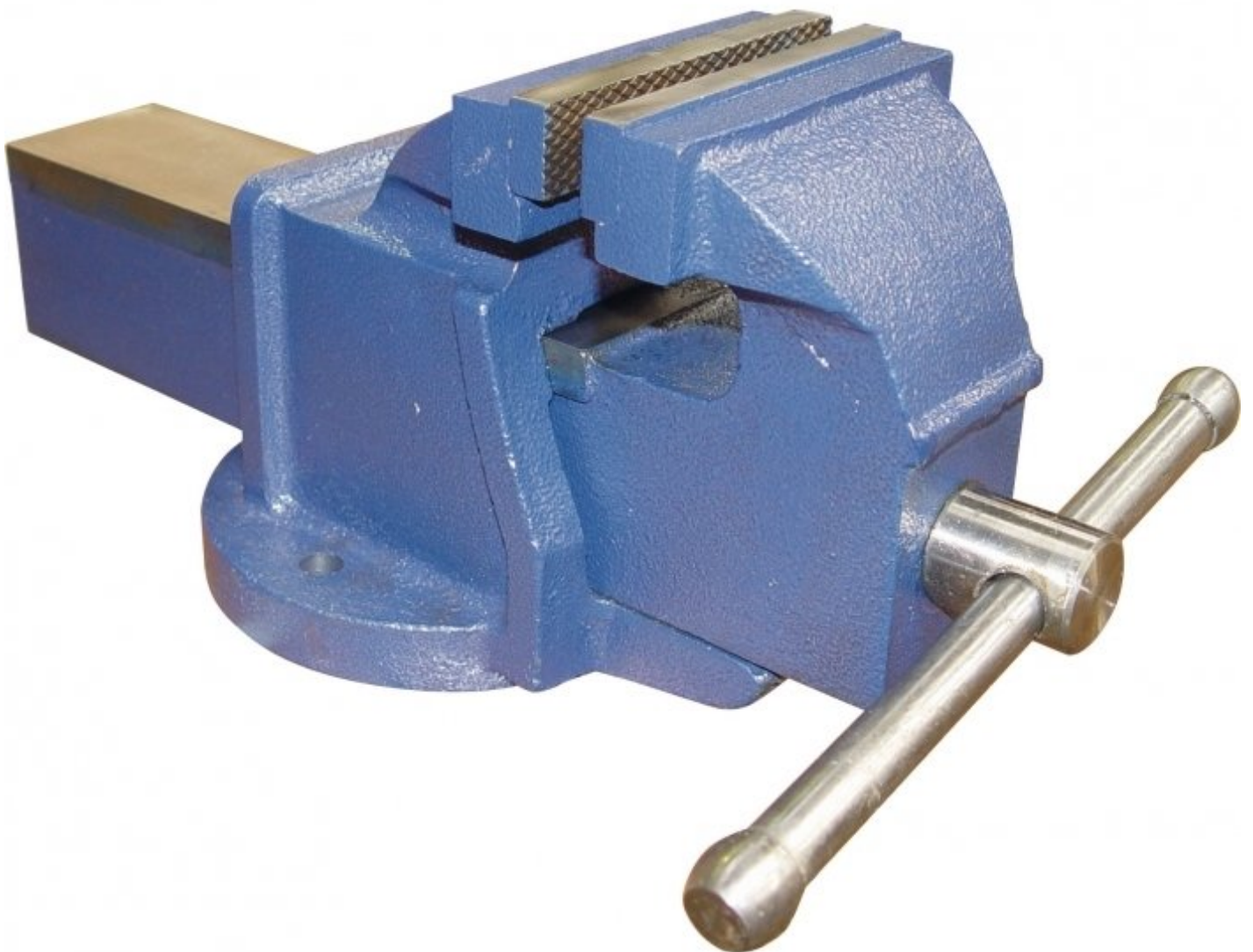


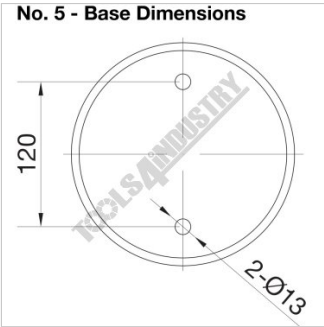


TOOLMASTER No. 5

127mm Cast Iron Bench Vice



TOOLMASTER 127mm Cast Iron Bench Vice No. 5



Base Dimensions

Description

Manufactured from nodular cast iron, and comes fitted with serrated jaws

Features

- Acme screw thread

Specifications

| | |
|--|-------|
| ORDER CODE | V089 |
| Model | No. 5 |
| Type | Bench |
| Jaw Width (mm) | 127 |
| Jaw Height | ~ |
| Jaw Opening (mm) | 150 |
| Overall Length (Closed Jaws) (mm) | 410 |
| Overall Width (mm) | 160 |
| Overall Height (mm) | 170 |
| Clamping Force (KN) | ~ |
| Nett Weight (kg) | 17 |