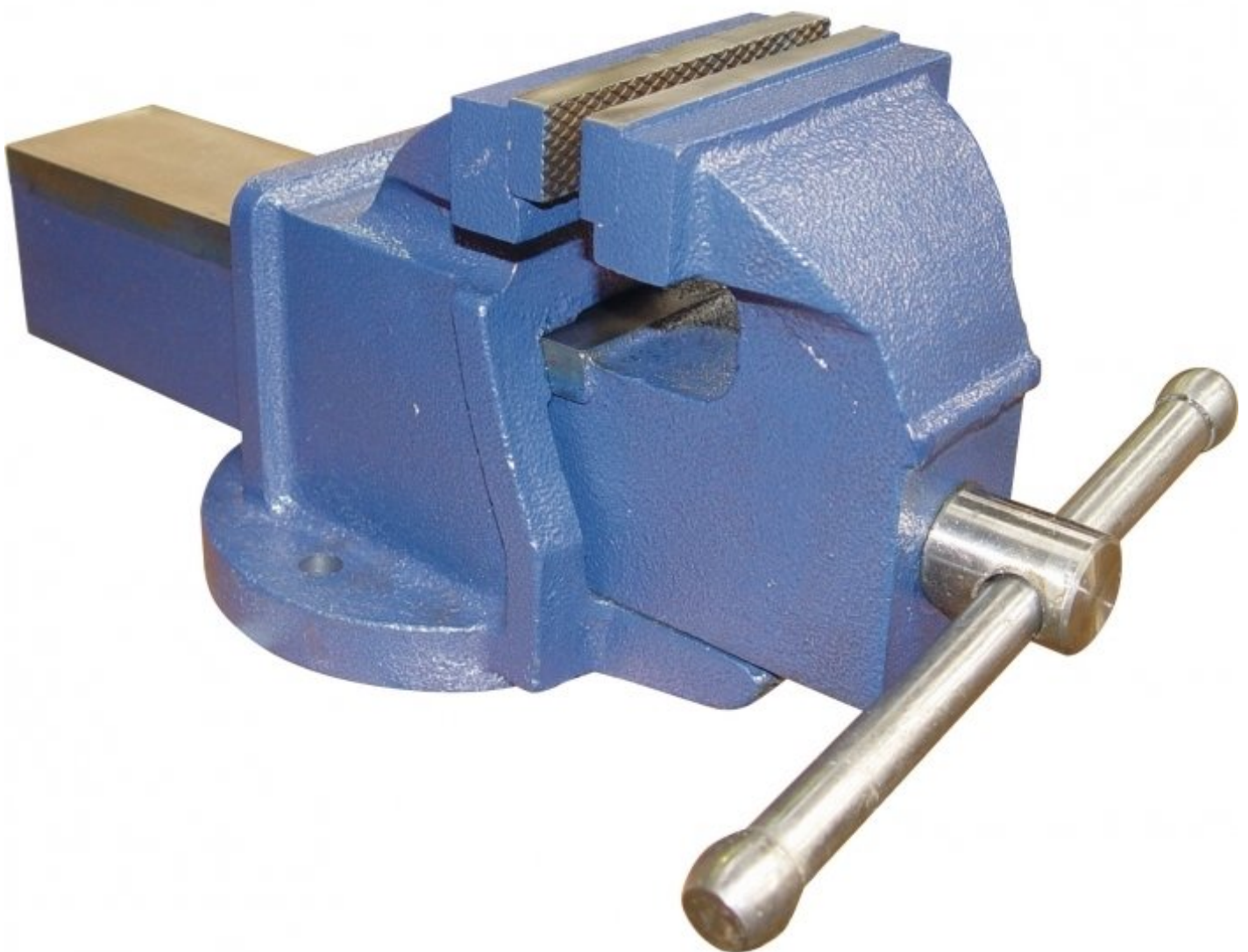


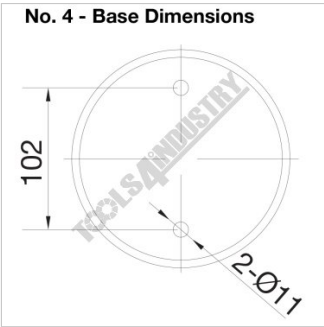


TOOLMASTER No. 4

100mm Cast Iron Bench Vice



TOOLMASTER 100mm Cast Iron Bench Vice No. 4



Base Dimensions

Description

Manufactured from nodular cast iron, and comes fitted with serrated jaws

Features

- Acme screw thread

Specifications

ORDER CODE	V088
Model	No. 4
Type	Bench
Jaw Width (mm)	100
Jaw Height	~
Jaw Opening (mm)	120
Overall Length (Closed Jaws) (mm)	250
Overall Width (mm)	135
Overall Height (mm)	150
Clamping Force (KN)	~
Nett Weight (kg)	11.5