

**TOOLMASTER MPV-12**



125mm Cast Iron Multi Purpose Bench Vice - Rotating Head & Swivel Base with Lock



**TOOLMASTER 125mm Cast Iron Multi Purpose Bench Vice - Rotating Head & Swivel Base with Lock MPV-12**



Right View



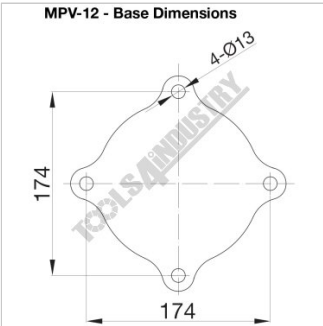
Rear View



Rotating Vice with Pipe Jaws



Quick Action Lever



Base Dimensions

**Description**

This 125mm universal vice is manufactured from cast iron. The MPV-12 features a rotating head and swivel base, each with its own lock. There's a graduated scale on the swivel head as well as vice opening.

Case-hardened jaws with grooves allow for better gripping. This vice from TM comes with a quick-action vice lock/release mechanism, anvil plus includes both V and pipe jaws.

**Features**

- Rotating head with lock
- Swivel base with lock
- Quick action vice lock/release mechanism
- Case hardened jaws with grooves for better gripping
- Graduated scale on swivel head and vice opening
- 63 x 80mm anvil
- Includes V & pipe jaws

**TOOLMASTER 125mm Cast Iron Multi Purpose Bench Vice - Rotating Head & Swivel Base with Lock MPV-12**

**Specifications**

<b>ORDER CODE</b>	V075
<b>Model</b>	MPV-12
<b>Type</b>	Universal
<b>Jaw Width (mm)</b>	125
<b>Jaw Height</b>	~
<b>Jaw Opening (mm)</b>	150
<b>Overall Length (Closed Jaws) (mm)</b>	500
<b>Overall Width (mm)</b>	150
<b>Overall Height (mm)</b>	240
<b>Clamping Force (KN)</b>	~
<b>Nett Weight (kg)</b>	21