

HAFCO VB-150



Vice Brake Bender - Suits Bench Vices

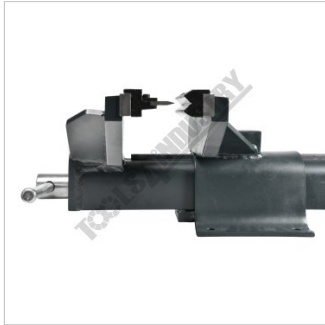
150 x 2mm Mild Steel



HAFCO Vice Brake Bender - Suits Bench Vices VB-150



Magnetic Mount



Shown on V0925

Features

- Magnetic back for securing to vice jaws
- Segmented blade
- Bends up to 2mm thick mild steel

Specifications

ORDER CODE	V052
Bending Thickness Capacity - Mild Steel (mm)	2
Bending Length Capacity - Mild Steel (mm)	150