

**SUTTON TOOLS T9011200**

**M12 X 1.75mm Straight Flute HSGT 3pc Tap Set**

**Metric Coarse**

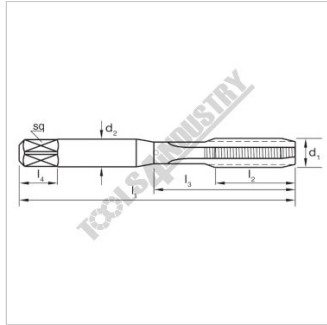
*suttontools*



**SUTTON TOOLS M12 X 1.75mm Straight Flute HSGT 3pc Tap Set T9011200**



Starter Intermediate & Plug Tap



Diagram

**Description**

The Sutton Tools Tap Set is designed for general purpose use and is suitable for materials up to 1000N/mm<sup>2</sup>. It can be used for both hand and machine operations, making it versatile for various applications. With depths up to approximately 1 x d<sub>1</sub>, this tap set provides reliable performance and precision.

**Features**

- General Purpose Use
- Suitable for Materials up to 1000N/mm<sup>2</sup>
- Suitable for Hand and Machine Operations
- Depths up to 1 x D1

**Includes**

- 1 X Taper
- 1 X Intermediate
- 1 X Bottoming

**Specifications**

<b>ORDER CODE</b>	~T8106
<b>Size</b>	~M2 X 1.75mm
<b>Pitch</b>	~1.75mm
<b>Pitch Type</b>	~Metric Course
<b>Flute Type</b>	~Straight
<b>Thread Form</b>	~Metric
<b>Max Cut Depth</b>	~1 x D
<b>Nut Tolerance</b>	~
<b>Standard</b>	~ISO 529