



**SUTTON TOOLS T9010800**

**M8 X 1.25mm Straight Flute HSGT 3pc Tap Set**

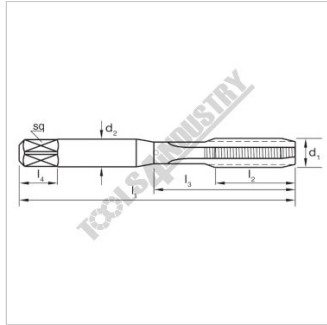
**Metric Coarse**



**SUTTON TOOLS M8 X 1.25mm Straight Flute HSGT 3pc Tap Set T9010800**



Starter Intermediate & Plug Tap



Diagram

**Description**

The Sutton Tools Tap Set is designed for general purpose use and is suitable for materials up to 1000N/mm<sup>2</sup>. It can be used for both hand and machine operations, making it versatile for various applications. With depths up to approximately 1 x d<sub>1</sub>, this tap set provides reliable performance and precision.

**Features**

- General Purpose Use
- Suitable for Materials up to 1000N/mm<sup>2</sup>
- Suitable for Hand and Machine Operations
- Depths up to 1 x D1

**Includes**

- 1 X Taper
- 1 X Intermediate
- 1 X Bottoming

**Specifications**

|                      |                |
|----------------------|----------------|
| <b>ORDER CODE</b>    | ~T8104         |
| <b>Size</b>          | ~M8 X 1.25mm   |
| <b>Pitch</b>         | ~1.25mm        |
| <b>Pitch Type</b>    | ~Metric Course |
| <b>Flute Type</b>    | ~Straight      |
| <b>Thread Form</b>   | ~Metric        |
| <b>Max Cut Depth</b> | ~1 x D         |
| <b>Nut Tolerance</b> | ~              |
| <b>Standard</b>      | ~ISO 529       |