

**TOOLMASTER**

**BT50 x ER32-100 Collet Chuck**

**Ø3-Ø20mm Range**



**TOOLMASTER BT50 x ER32-100 Collet Chuck**



Front Right View



Side View



Rear View

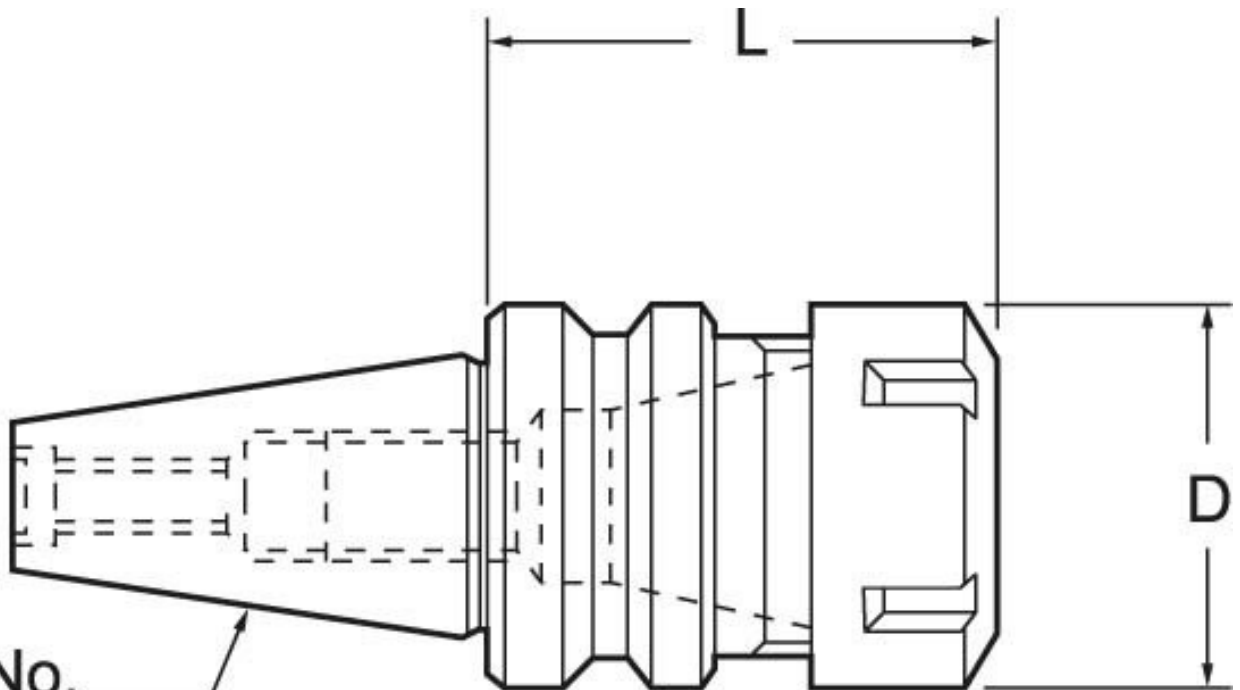
**Description**

All BT collet chucks meet the specifications of machine tool builders (DIN 2080 taper Shank Grade AT-3 - 85% taper contact)

**Features**

- Precision ground
- Manufactured to MAS403BT50 standard
- M24 Pull Stud thread
- 100mm extension from the gauge line
- Locking spanner not included

**Specifications**



**BT. No.**

**ORDER CODE**

T448

**MODEL**

BT50 x ER32-100

**Speed Rating (rpm)**

10,000

**Taper (BT)**

BT50

## TOOLMASTER BT50 x ER32-100 Collet Chuck

<b>Capacity (mm)</b>	3 - 20
<b>L (mm)</b>	100
<b>D (mm)</b>	50
<b>Collet Type (ER)</b>	ER32
<b>Nett Weight (kg)</b>	5.0