

TOOLMASTER MAS P50T 45° Type 1



Pull Stud

BT-50



TOOLMASTER Pull Stud MAS P50T 45° Type 1



Side View



Front View



Rear View

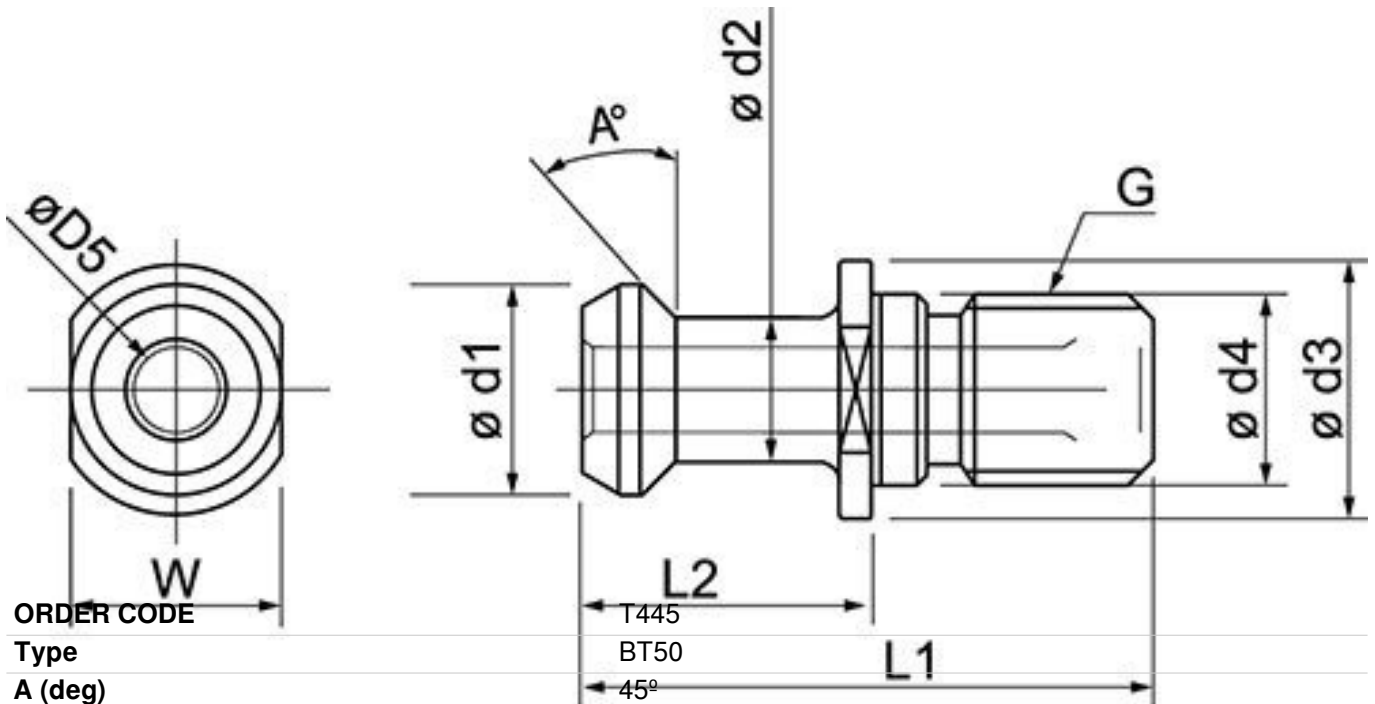
Description

Precision ground
Through Coolant

Features

- Through coolant with M24 thread
- MAS403BT50 Standard

Specifications



ORDER CODE

Type

A (deg)

G (mm)

d1 (mm)

d2 (mm)

d3 (mm)

d4 (mm)

D5 (mm)

T445

BT50

45°

M24

23.0

17.0

38.0

25.0

8.0

TOOLMASTER Pull Stud MAS P50T 45° Type 1

L1 (mm)	85.00
L2 (mm)	45.50
W (mm)	30.0