

TOOLMASTER MAS P30T 45°

Pull Stud

BT-30



TOOLMASTER Pull Stud MAS P30T 45°

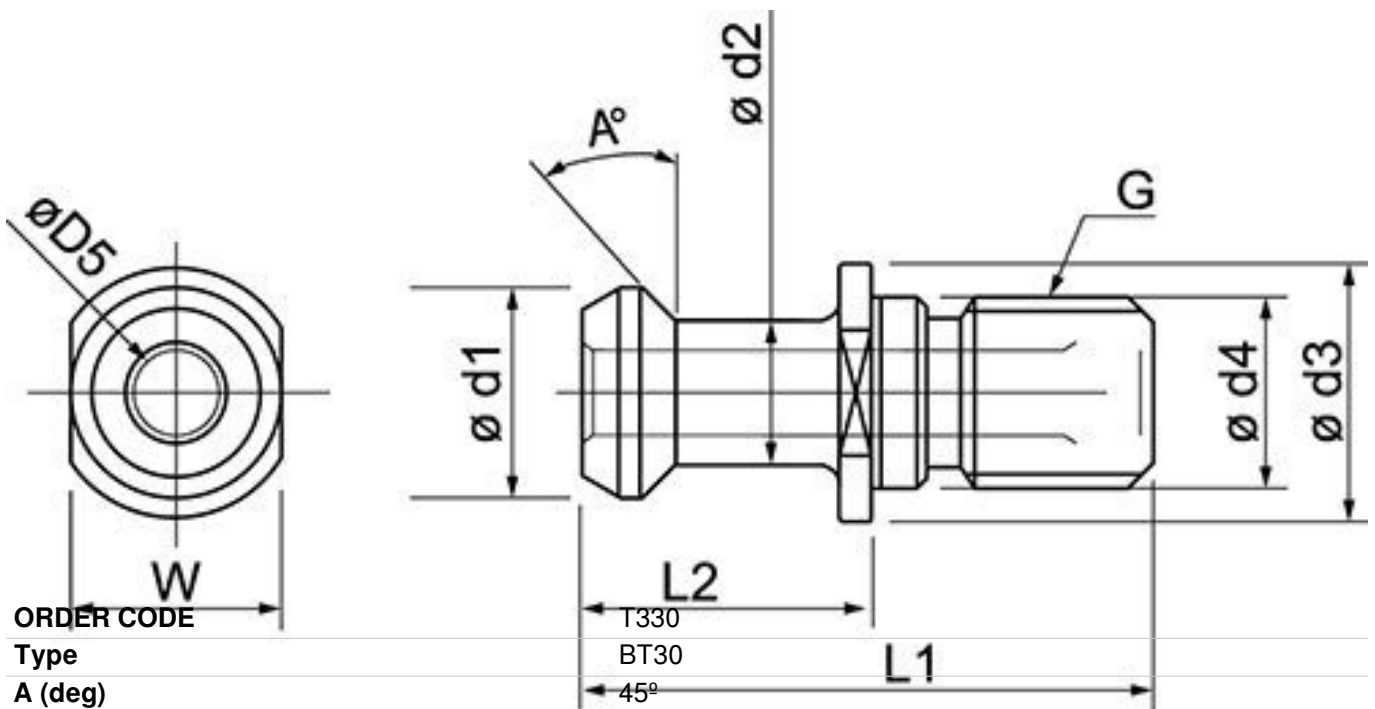
Description

Precision ground

Features

- M12 thread
- MAS403BT30 standard

Specifications



ORDER CODE	T330
Type	BT30
A (deg)	45°
G (mm)	M12
d1 (mm)	11.0
d2 (mm)	7.0
d3 (mm)	16.5
d4 (mm)	12.5
D5 (mm)	~
L1 (mm)	43.00
L2 (mm)	23.00
W (mm)	13.0