

**TOOLMASTER**

**BT40 x ER40-100 Collet Chuck**

**Ø3-Ø26mm Range**



## TOOLMASTER BT40 x ER40-100 Collet Chuck

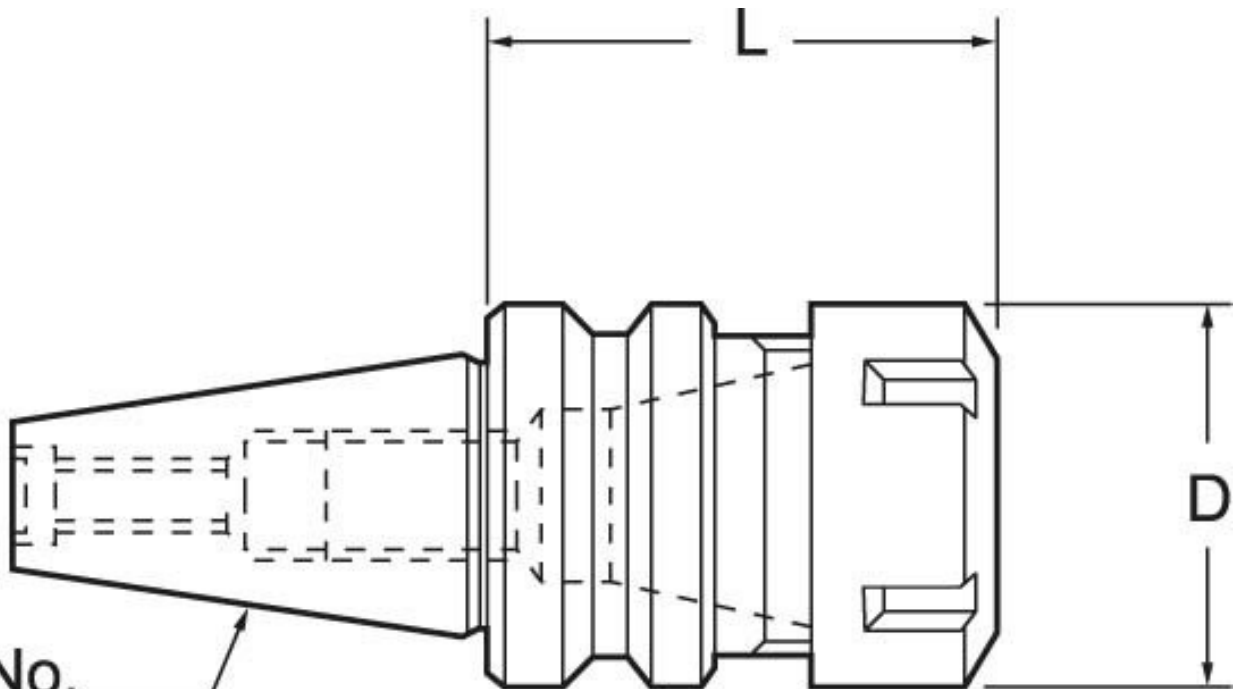
### Description

All BT collet chucks meet the specifications of machine tool builders (DIN 2080 taper Shank Grade AT-3 - 85% taper contact)

### Features

- Precision ground
- All ER40 collet chucks are fitted with ball bearing nuts
- Manufactured to MAS403BT40 standard
- Ball bearing nut
- M16 Pull Stud thread
- Locking spanner not included

### Specifications



BT. No.

ORDER CODE	T228
MODEL	BT40 x ER40-100
Speed Rating (rpm)	15,000
Taper (BT)	BT40
Capacity (mm)	3 - 26
L (mm)	100
D (mm)	63
Collet Type (ER)	ER40
Nett Weight (kg)	1.8