



TOOLMASTER

BT40 x ER25-70 Collet Chuck

Ø2-Ø16mm Range



TOOLMASTER BT40 x ER25-70 Collet Chuck

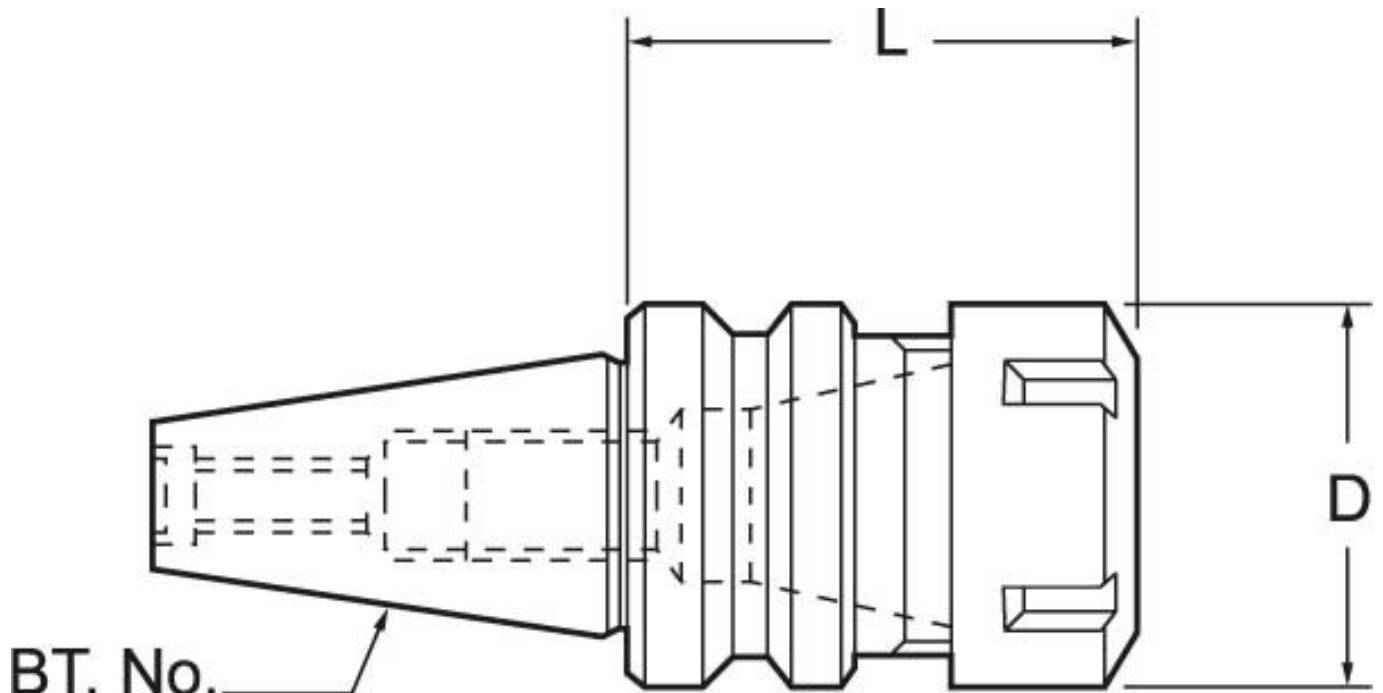
Description

All BT collet chucks meet the specifications of machine tool builders (DIN 2080 taper Shank Grade AT-3 - 85% taper contact)

Features

- Precision ground
- Manufactured to MAS403BT40 standard
- M16 Pull Stud thread
- 70mm extension from the gauge line
- Locking spanner not included

Specifications



| | |
|---------------------------|----------------|
| BT. No. | |
| ORDER CODE | T214 |
| MODEL | BT40 x ER25-70 |
| Speed Rating (rpm) | 15,000 |
| Taper (BT) | BT40 |
| Capacity (mm) | 2 - 16 |
| L (mm) | 100 |
| D (mm) | 42 |
| Collet Type (ER) | ER25 |
| Nett Weight (kg) | 1.7 |