

TOOLMASTER

Pull Stud

BT-40



TOOLMASTER Pull Stud

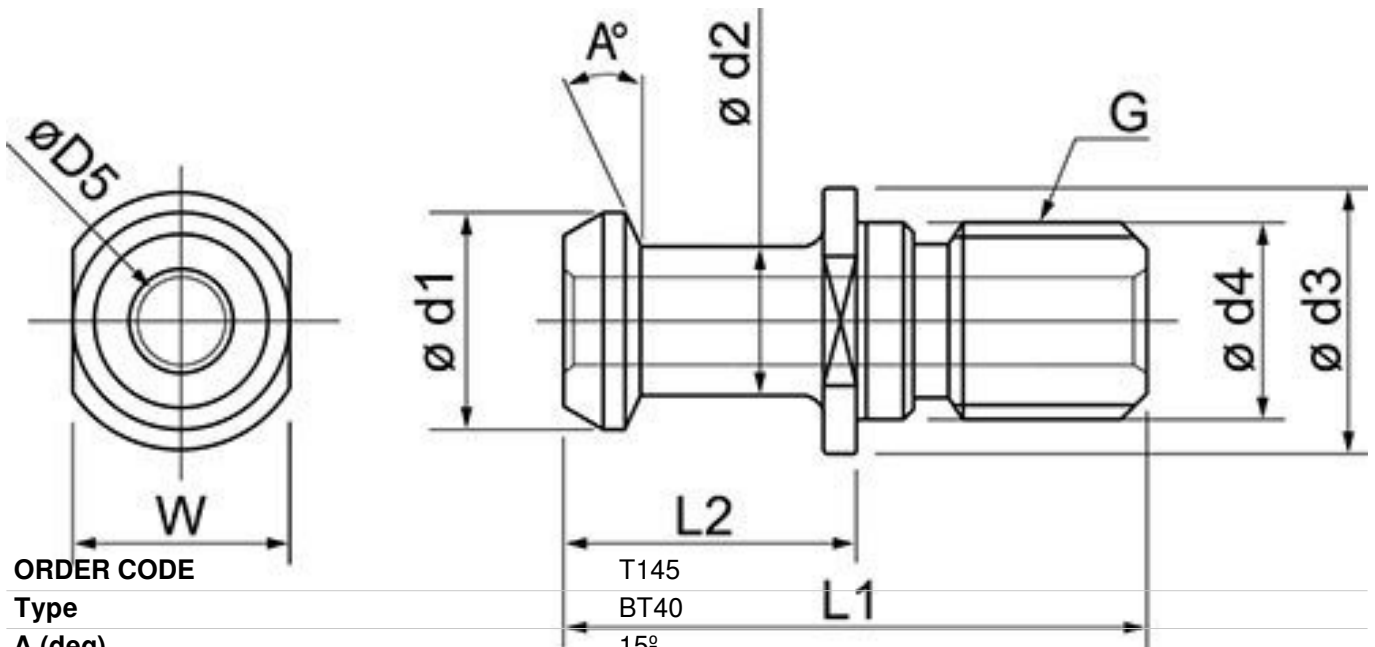
Description

Suits Doosan BT-40 Machines
Through Coolant

Features

- Precision ground through coolant
- NIKKEN-806-1 Specification
- M16 Pull Stud thread

Specifications



ORDER CODE	T145
Type	BT40
A (deg)	15°
G (mm)	M16
d1 (mm)	19.0
d2 (mm)	14.0
d3 (mm)	23.0
d4 (mm)	17.0
D5 (mm)	6.5
L1 (mm)	54.00
L2 (mm)	29.00
W (mm)	19.0